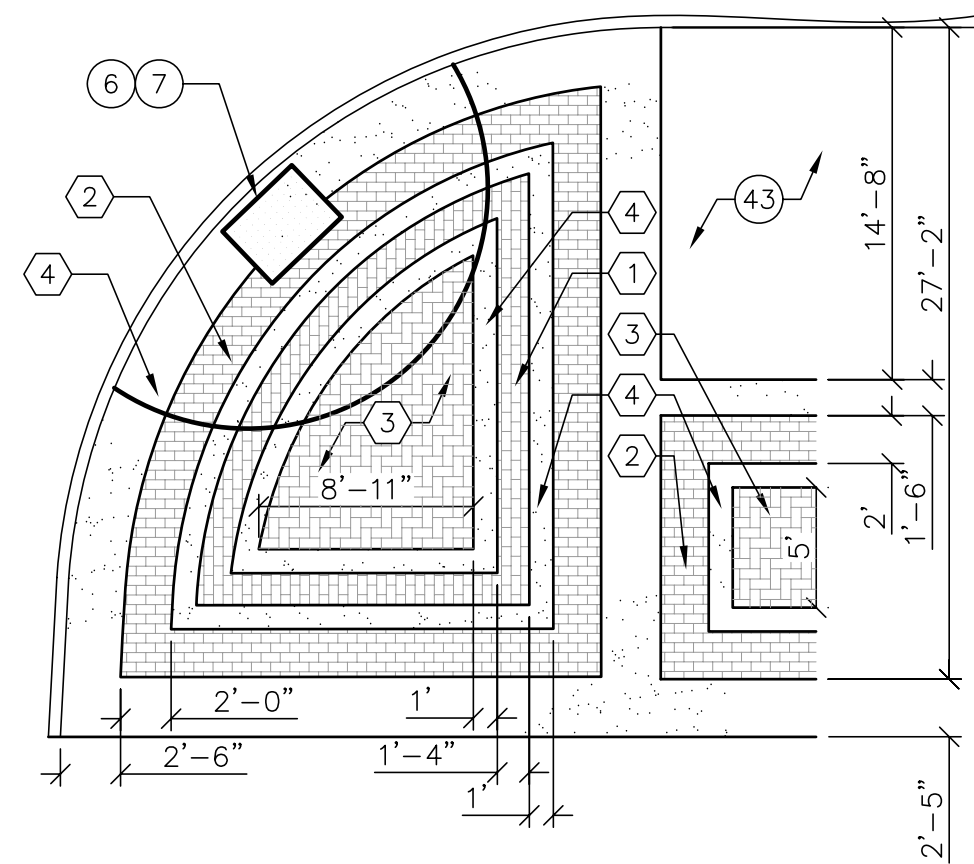


SUBMITTED

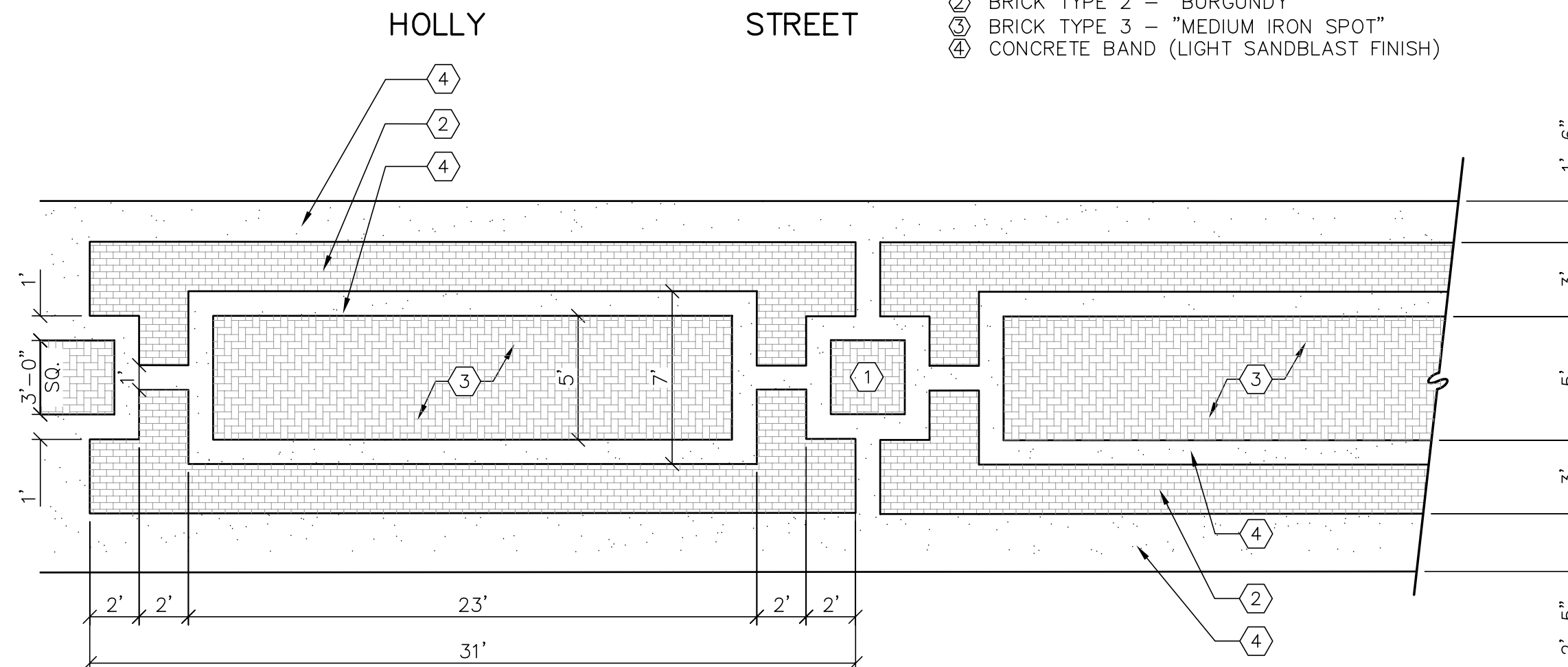


- ① BRICK TYPE 1 - "PACIFIC ROSE"
- ② BRICK TYPE 2 - "BURGUNDY"
- ③ BRICK TYPE 3 - "MEDIUM IRON SPOT"
- ④ CONCRETE BAND (LIGHT SANDBLAST FINISH)



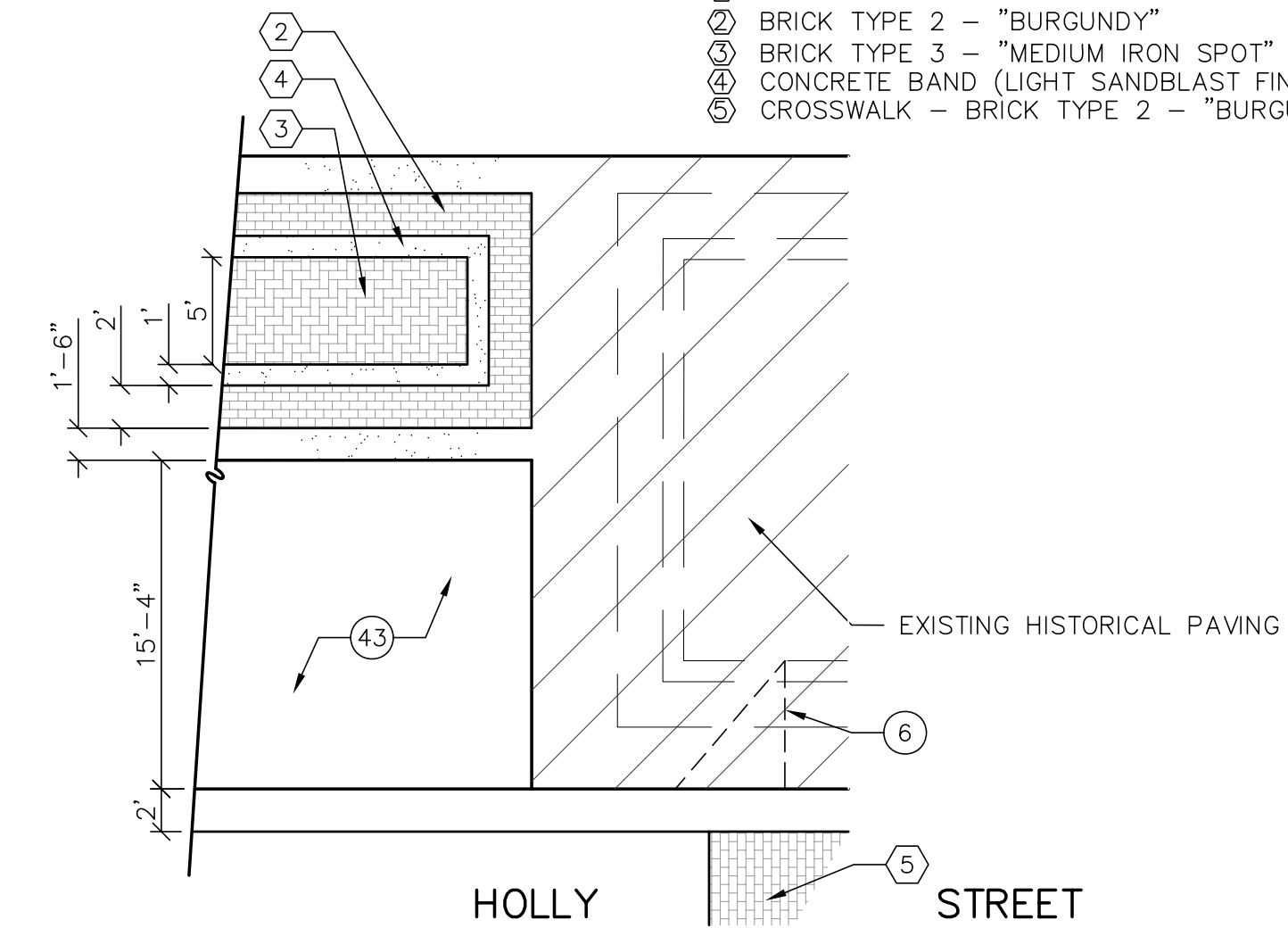
A Typical Paving Pattern @ NE & SE Corner of Holly & Marengo
Not to Scale

- ① BRICK TYPE 1 - "PACIFIC ROSE"
- ② BRICK TYPE 2 - "BURGUNDY"
- ③ BRICK TYPE 3 - "MEDIUM IRON SPOT"
- ④ CONCRETE BAND (LIGHT SANDBLAST FINISH)



B Typical Paving Pattern - Holly Street
Not to Scale

- ① BRICK TYPE 1 - "PACIFIC ROSE"
- ② BRICK TYPE 2 - "BURGUNDY"
- ③ BRICK TYPE 3 - "MEDIUM IRON SPOT"
- ④ CONCRETE BAND (LIGHT SANDBLAST FINISH)
- ⑤ CROSSWALK - BRICK TYPE 2 - "BURGUNDY"



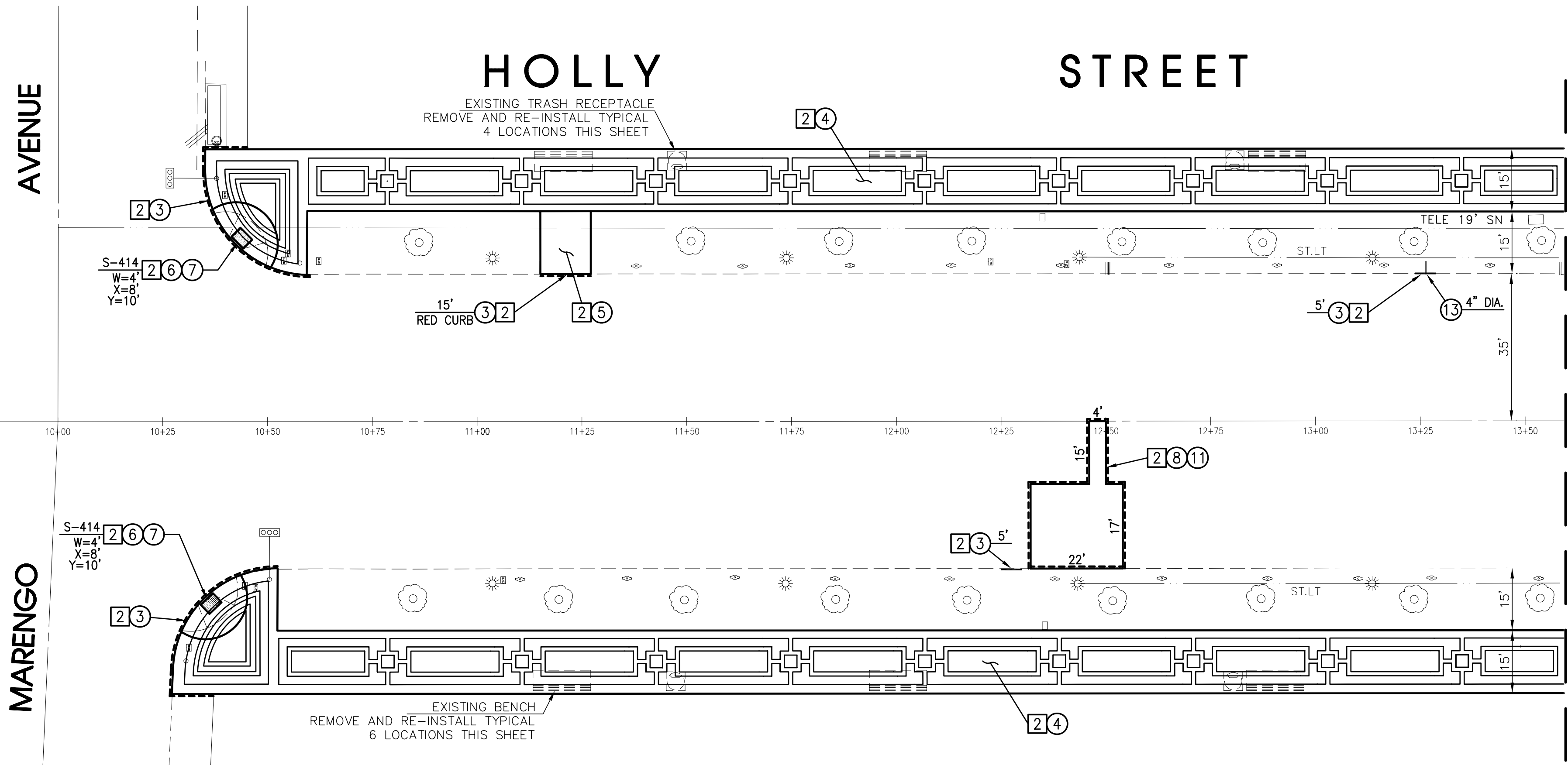
C Typical Paving Enlargement @ NW Corner of Garfield & Holly
Not to Scale

DEMOLITION LEGEND

- ② CONCRETE EXCAVATION (INCLUDING BRICKS)

CONSTRUCTION LEGEND

- ② CONSTRUCT VARIABLE HEIGHT AND 0.5' WIDTH PCC CURB AND 2' WIDTH PCC GUTTER
- ③ CONSTRUCT VARIABLE HEIGHT AND 0.5' WIDTH PCC CURB ONLY
- ④B CONSTRUCT 6.75"± THICK PCC SIDEWALK WITH INLAID BRICKS AS SHOWN ON DETAIL B, SHEET 2
- ⑤ CONSTRUCT 4" PCC SIDEWALK
- ⑥ CONSTRUCT PCC CURB RAMP PER CITY STANDARD PLAN S-414
- ⑦ FURNISH AND INSTALL EMBEDDED DETECTABLE WARNING SURFACE PER CITY STANDARD PLAN S-414
- ⑧ CONSTRUCT 8" THICK PCC PAVEMENT
- ⑪ CONSTRUCT 4" THICK AGGREGATE BASE COURSE
- ⑬ ADJUST EXISTING CURB DRAIN
- ④3 FURNISH AND INSTALL MULCH

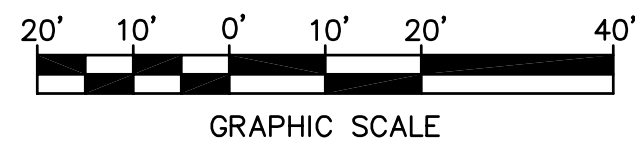


AVENUE

MARENGO

HOLLY STREET

MATCHLINE "A"
STA. 13+83.08
SEE SHEET NO. 13
GARFIELD AVENUE



PLAN AND DETAILS

PROJECT ENGINEER		DRAWN BY				CITY OF PASADENA-DEPARTMENT OF PUBLIC WORKS			
DATE		MARCOS TIEMANN				PROJECT CIVIC CENTER MID-TOWN IMPROVEMENTS			
FIELD BOOK NO. NONE		DESIGNED BY				LIMITS HOLLY STREET - MARENGO AVENUE TO GARFIELD AVENUE			
		CATHY CHANG				SCALE AS SHOWN			
		CHECKED BY				ACCOUNT NUMBER 73200			
		RENY QUIJANO				SHEET 2 OF 35			
		AS BUILT				DWG. NO. 5930			