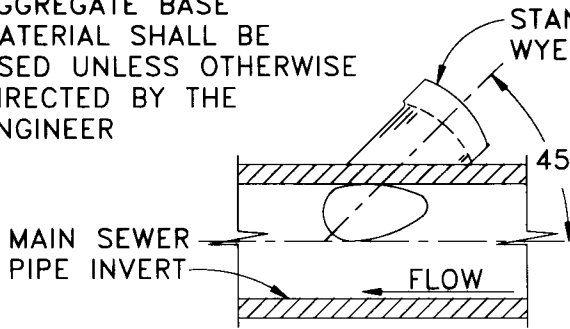
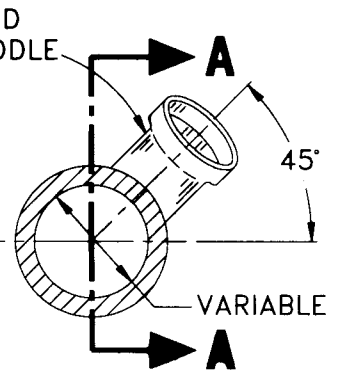


13mm CRUSHED AGGREGATE BASE MATERIAL SHALL BE USED UNLESS OTHERWISE DIRECTED BY THE ENGINEER

WYE SADDLE INSTALLATION



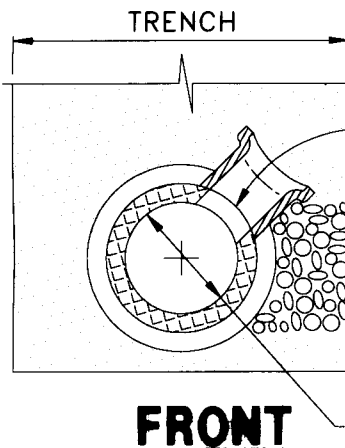
SECTION A-A



END VIEW

MAIN SEWER PIPE ONLY ONE CONNECTION ALLOWED PER JOINT OF PIPE

TEE OR WYE SADDLE JOINTS AND SUPPORT



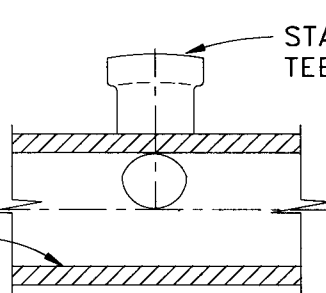
FRONT

APPROVED EPOXY RESIN

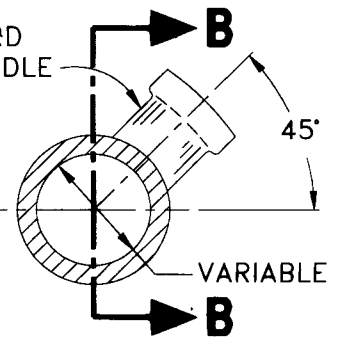
MAIN SEWER PIPE INVERT

VARIABLE

TEE SADDLE INSTALLATION



SECTION B-B



END VIEW

NOTES:

1. A WYE OR TEE SADDLE SHALL BE INSTALLED BY CUTTING A NEAT HOLE CONFORMING TO THE INSIDE DIAMETER OF THE SADDLE. THE HOLE SHALL BE MADE WITH EQUIPMENT SPECIALLY DESIGNED TO CUT A SMOOTH HOLE.
2. THE SADDLE SHALL BE CEMENTED INTO PLACE USING A CEMENTING AGENT APPROVED BY THE PUBLIC WORKS AND TRANSPORTATION DEPARTMENT. THE SADDLE SHALL BE HELD SECURELY IN PLACE WHILE THE CEMENTING AGENT SETS. THE INSIDE OF THE JOINT BETWEEN PIPE AND SADDLE SHALL BE FILLED WITH CEMENTING MATERIAL AND NEATLY ROUNDED.
3. THE CORING OF THE HOLE AND THE PLACING OF THE STUB SHALL BE DONE IN THE PRESENCE OF THE ENGINEER.
4. NO CONNECTION SHALL BE MADE TO THE STUB UNTIL THE ENGINEER HAS APPROVED THE STUB.

CITY OF PASADENA - PUBLIC WORKS & TRANSPORTATION DEPARTMENT

DRAWN BY:
DAVID PHAN

CHECKED BY:
JAMES LLOYD

SUBMITTED BY:
JAMES VALENTINE

SADDLE FOR HOUSE LATERALS

APPROVED BY:
William D. Sato
CITY ENGINEER

3/25/96
DATE

RCE NO. 13716 EXPIRES MARCH 31, 1997

REVISION: 1
UNITS: METRIC

STANDARD PLAN:
S-301

SHEET 1 OF 1
S301-1-0.DWG 04\24\96