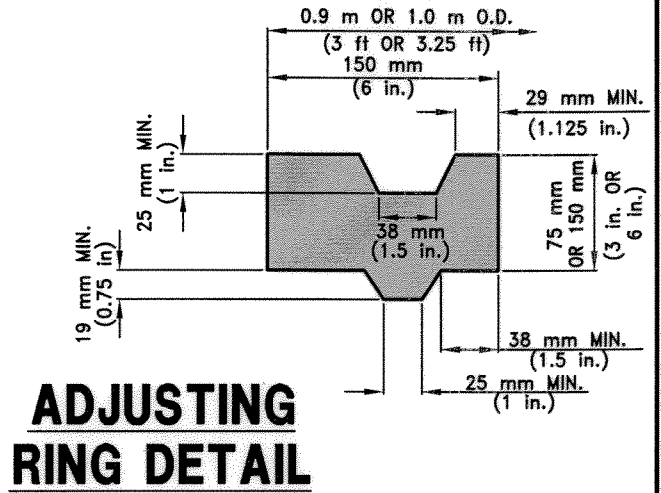
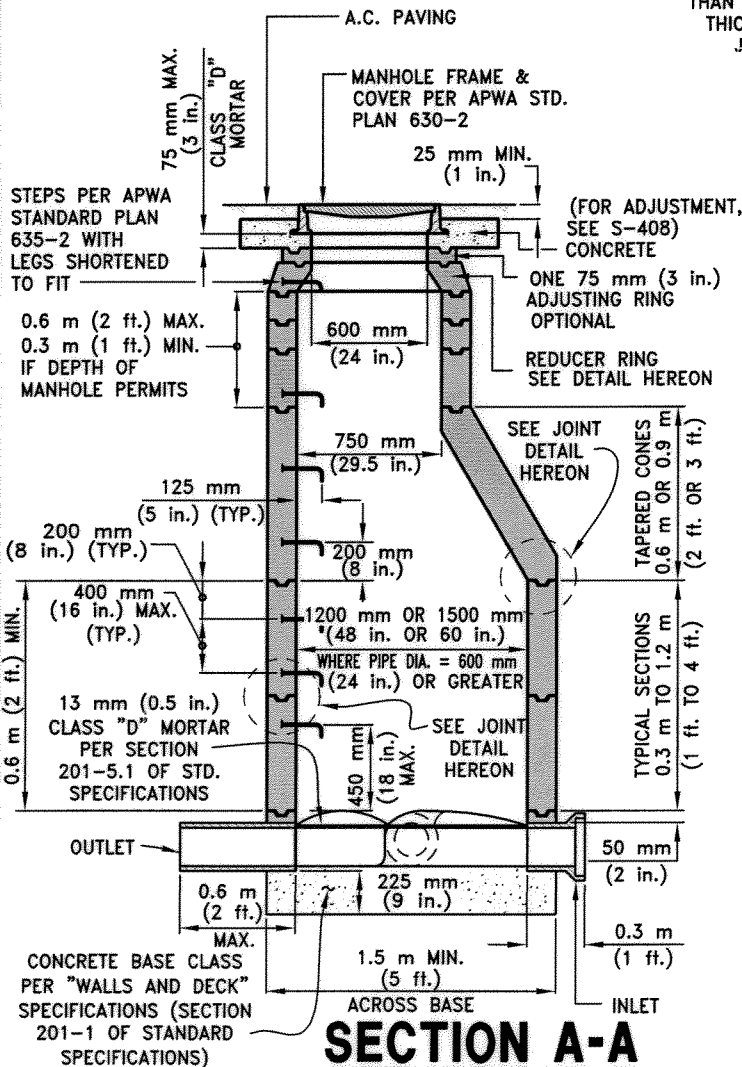


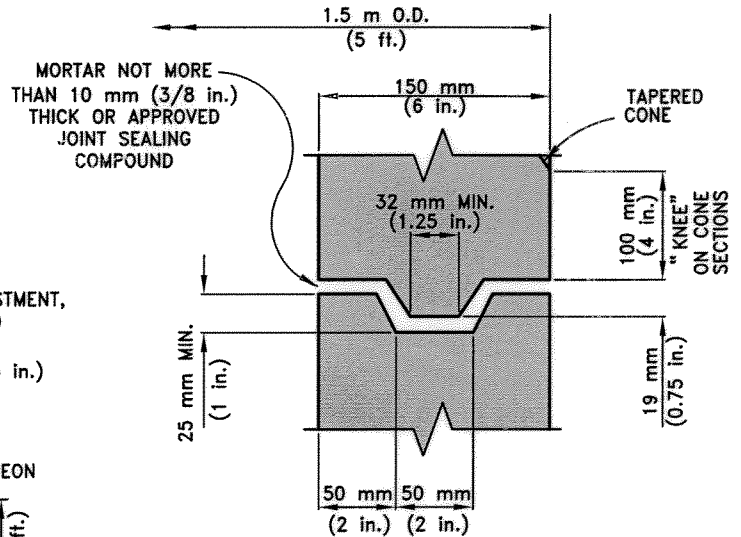
**PLAN**  
SHOWING BASE



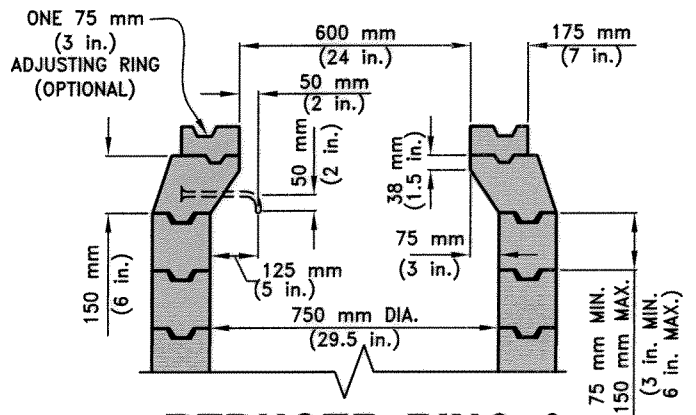
**ADJUSTING RING DETAIL**



**SECTION A-A**



**JOINT DETAIL**  
NON-REINFORCED



**REDUCER RING & ADJUSTING RINGS**

**CITY OF PASADENA - DEPARTMENT OF PUBLIC WORKS**

DRAWN BY: <b>MARCOS TIEMANN</b>	<b>PRECAST CONCRETE SEWER MANHOLE</b>	REVISION:	UNITS:
		1	DUAL
CHECKED BY: <b>ROWENA HINGCO</b>	APPROVED BY: <i>Daniel A. R.</i> CITY ENGINEER RCE NO. 38689 EXPIRES MARCH 31, 2005	STANDARD PLAN:	
SUBMITTED BY: <b>GIL WEISS</b>		<b>S-382</b>	
		SHEET 1 OF 1	
		8/25/04 DATE	
		S382-1-REV1.DWG 7/13/04	