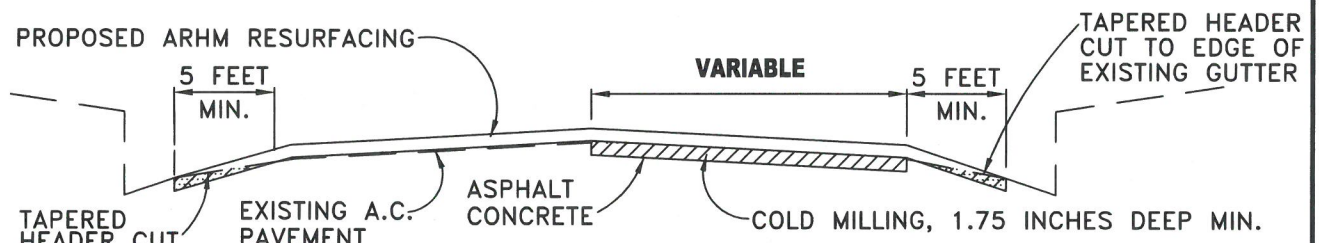
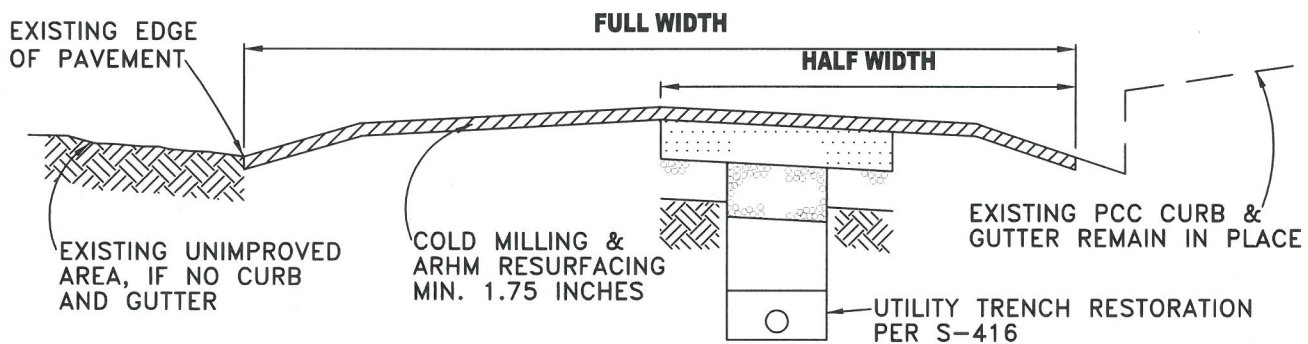


REMOVE AND RECONSTRUCT



COLD MILLING



FULL WIDTH OR HALF WIDTH PAVEMENT RESTORATION DUE TO EXTENSIVE UTILITY CUTS AND/OR CONDITIONED PRIVATE DEVELOPMENTS

NOTES: ALL SURVEY MARKERS REMOVED SHALL BE PRE-SURVEYED AND REPLACED BY A LICENSED SURVEYOR WITH SURVEY DOCUMENTS RECORDED WITH THE LOS ANGELES COUNTY OFFICE.

ALL TRAFFIC STRIPING AND/OR MARKINGS REMOVED BY RESTORATION WORK SHALL BE REPLACED.

ALL WORK SHALL BE DONE IN ACCORDANCE WITH THE STANDARD SPECIFICATIONS FOR PUBLIC WORKS CONSTRUCTION" (GREEN BOOK), LATEST EDITION, INCLUDING SUPPLEMENTS, AND THE CITY OF PASADENA "SUPPLEMENTS AND MODIFICATIONS" TO THE ABOVE (BLUE BOOK).

ARHM: ASPHALT RUBBER HOT MIX, AS APPROVED BY CITY ENGINEER

CITY OF PASADENA - DEPARTMENT OF PUBLIC WORKS

DRAWN BY: DAVID WONG	ASPHALT CONCRETE STREET RESURFACING, REMOVAL, RECONSTRUCTION, AND COLD MILLING	REVISION: 3	UNITS: ENG
DESIGNED BY: YANNIE WU		STANDARD PLAN: <h1 style="margin: 0;">S-415</h1>	
CHECKED BY: DANIEL DIAZ		SHEET 1 OF 1	
SUBMITTED BY: YANNIE WU		APPROVED BY:  CITY ENGINEER	DATE: 1-10-2019

RCE NO. 57442 EXPIRES DECEMBER 31, 2019