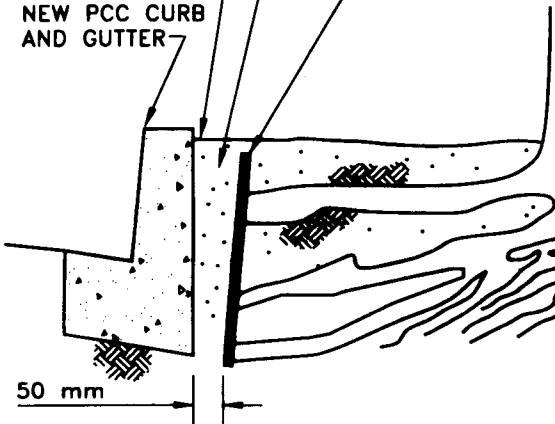


INSTALL 25.4 mm SPACER AND FABRIC  
25.4 mm BELOW FINISHED GRADE

BACKFILL WITH SOIL

FINISHED GRADE TO  
BE 12.5 mm BELOW  
TOP OF CURB

NEW PCC CURB  
AND GUTTER

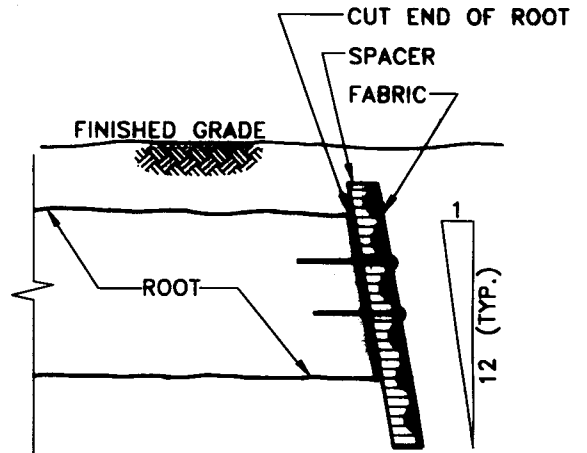
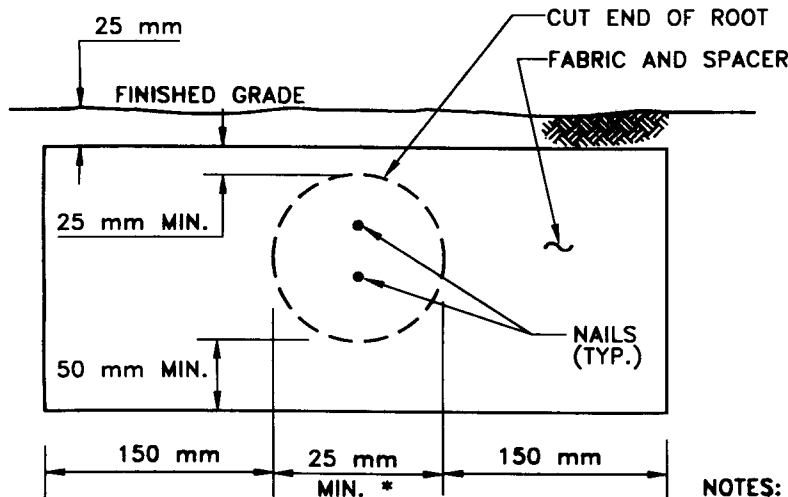
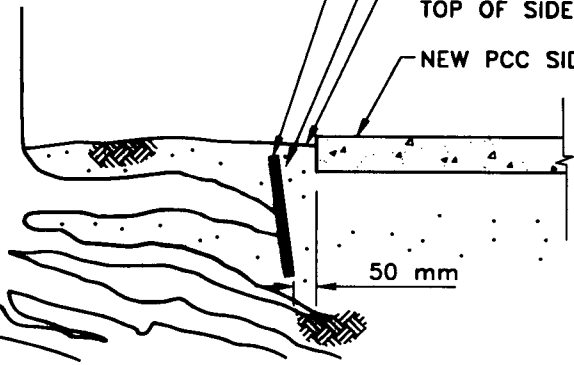


INSTALL 25.4 mm SPACER  
AND FABRIC 25.4 mm  
BELOW FINISHED GRADE

BACKFILL WITH SOIL

FINISHED GRADE TO  
BE 12.5 mm BELOW  
TOP OF SIDEWALK

NEW PCC SIDEWALK



**NOTES:**

1. A 25 mm THICK SPACER AND THE FABRIC SHALL BE FASTENED TO THE CUT TREE ROOT WITH TWO 50 mm NAILS. THE SPACER MATERIAL SHALL BE SIDEWALK EXPANSION JOINT MATERIAL OR APPROVED EQUAL.
2. THE FABRIC AND SPACER SHALL BE INSTALLED PRIOR TO THE CONCRETE CONSTRUCTION.
3. THE CONTRACTOR SHALL ALSO COMPLY WITH ALL MANUFACTURER'S RECOMMENDED SAFETY AND INSTALLATION PROCEDURES OF THE "TYPAR BIO-BARRIER" FABRIC OR APPROVED EQUAL.

\*UNLESS OTHERWISE DETERMINED IN THE FIELD BY THE ENGINEER.

**CITY OF PASADENA - PUBLIC WORKS & TRANSPORTATION DEPARTMENT**

DRAWN BY:  
YANNIE WU

DESIGNED BY:  
CATHY CHANG

CHECKED BY:  
YING KWAN

SUBMITTED BY:  
ALAN CHARMATZ

**FABRIC ROOT BARRIER  
INSTALLATION**

APPROVED BY:

*William D. Sato*  
CITY ENGINEER RCE NO. 15716 EXPIRES MARCH 31, 1997

4/25/96  
DATE

REVISION: NONE  
UNITS: METRIC

STANDARD PLAN:

**S-635**

SHEET 1 OF 1  
3635-1-8.DWG 04/18/96