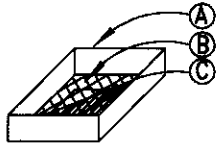


NOTES:

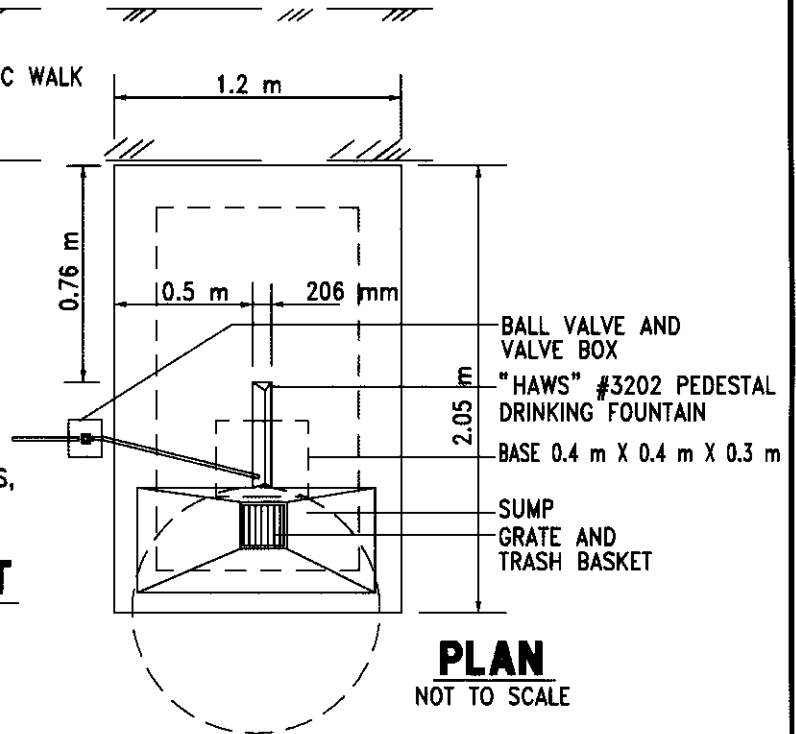
1. INSTALL "HAWS" #3202 DRINKING FOUNTAIN.
 2. CONTRACTOR TO FURNISH AND INSTALL FOOTING, SUMP, FILTER FABRIC, GRATE & TRASH BASKET, PIPING, VALVE, VALVE BOX, AND PCC SLAB.
 3. TRASH BASKET: SHALL FIT INSIDE GRATE FRAME (SUBMIT SHOP DRAWING)
- (A) METAL FRAME IS 6.35 mm THICK STEEL, 76 mm HEIGHT WITH 38 mm WIDE FLANGE.
 - (B) HARDWARE CLOTH BOTTOM INSERT FASTENED TO FRAME, AND HOT DIP GALVANIZED AFTER FABRICATION.
 - (C) FILTER FABRIC ON BOTTOM & 25 mm UP SIDES, 51 mm LAYER OF 19 mm GRAVEL.



TRASH BASKET

NOT TO SCALE

PCC WALK

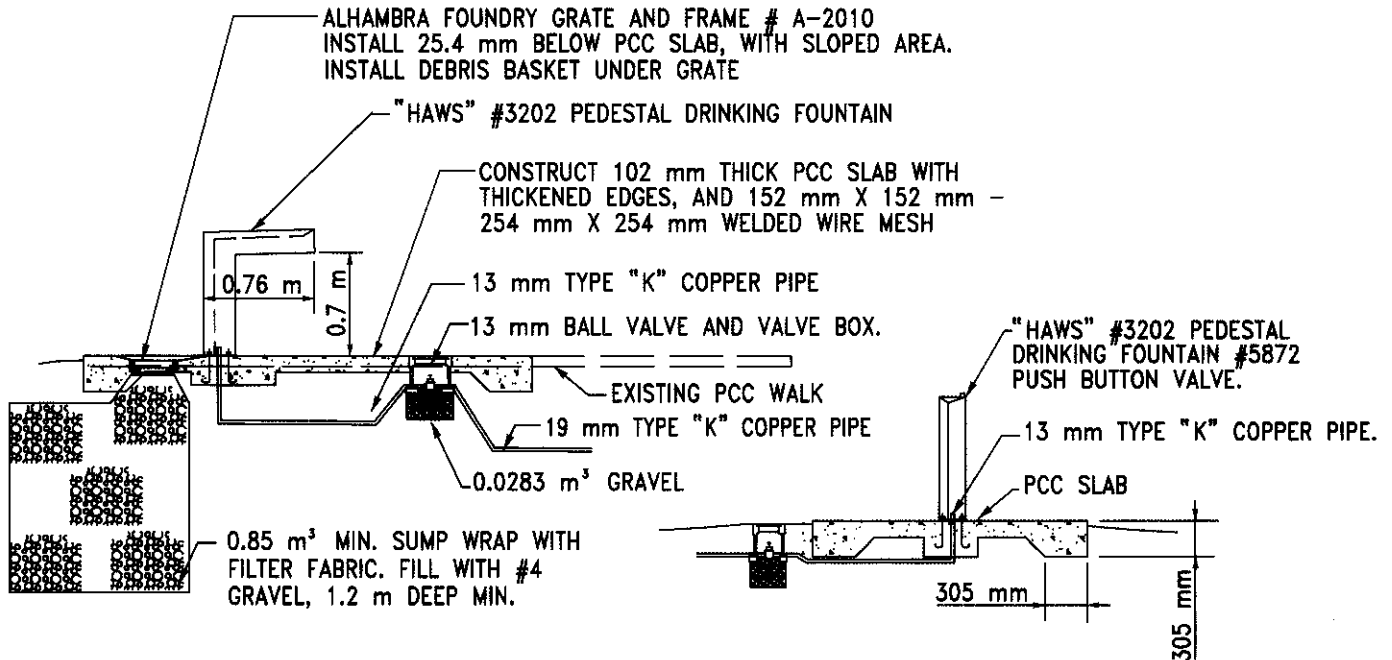


PLAN
NOT TO SCALE

ALHAMBRA FOUNDRY GRATE AND FRAME # A-2010
INSTALL 25.4 mm BELOW PCC SLAB, WITH SLOPED AREA.
INSTALL DEBRIS BASKET UNDER GRATE

"HAWS" #3202 PEDESTAL DRINKING FOUNTAIN

CONSTRUCT 102 mm THICK PCC SLAB WITH THICKENED EDGES, AND 152 mm X 152 mm - 254 mm X 254 mm WELDED WIRE MESH



SECTION

NOT TO SCALE

SECTION

NOT TO SCALE

CITY OF PASADENA - PUBLIC WORKS & TRANSPORTATION DEPARTMENT

DRAWN BY:
Chan Bang
BANG CHAU

DESIGNED BY:
Ray Montgomery
RAY MONTGOMERY

CHECKED BY:
Alan Charmatz
ALAN CHARMATZ

**WHEELCHAIR ACCESSIBLE
DRINKING FOUNTAIN**

APPROVED BY:

Daniel A. R.
CITY ENGINEER RCE NO. 38699 EXPIRES MARCH 31, 2001

REVISION: 1
UNITS: METRIC

STANDARD PLAN:

S-637

SHEET 1 OF 1

10-4-99
DATE

S-637-1-01.DWG SEPTEMBER 1990