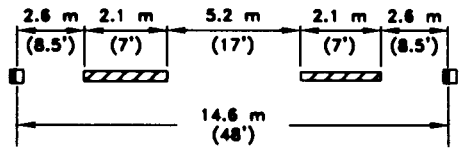
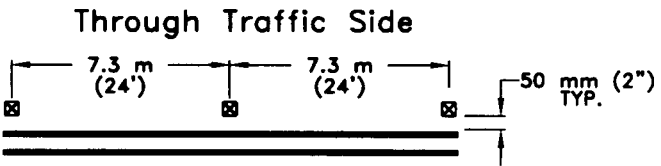


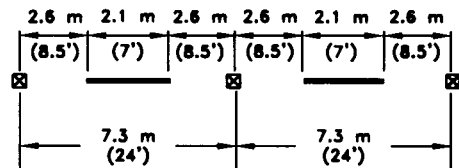
DETAIL 1: Two-way no passing with painted stripe



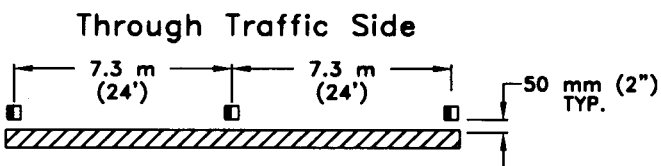
DETAIL 5 White lane line stripe



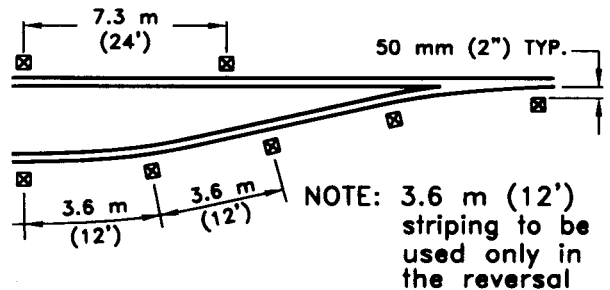
DETAIL 2: Painted median



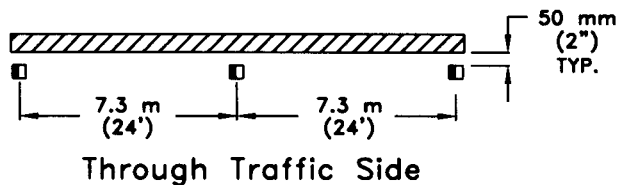
DETAIL 6: Dashed centerline



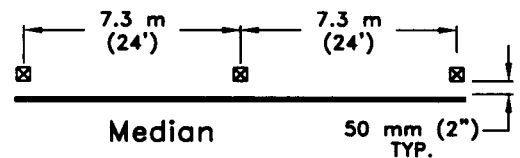
DETAIL 3: 200 mm (8") White left turn lane stripe



DETAIL 7: Reversal into left turn lane



DETAIL 4: 200 mm (8") White right turn lane stripe



DETAIL 8: Left edge line with single yellow stripe

NOTE:

Raised pavement markers to be installed at a minimum distance of 150 mm (6") from any crosswalk line or limit line.

CITY OF PASADENA - PUBLIC WORKS & TRANSPORTATION DEPARTMENT

DRAWN BY: *M.M.*
M. MOJICA

CHECKED BY:
D. ORTEGA *SO*

SUBMITTED BY
C. HERNANDEZ *SH*

RAISED PAVEMENT MARKER INSTALLATION DETAIL

APPROVED BY:
Bahngyan

TRANSPORTATION ADMINISTRATOR RTE NO. 1820 EXPIRES JUNE 30, 2006

REVISION: 2
UNITS: DUAL

STANDARD PLAN:

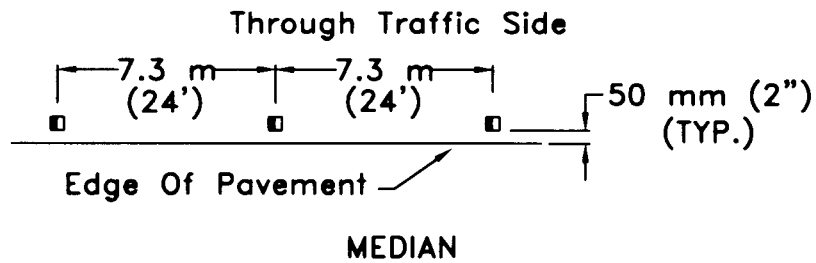
S-710

SHEET 1 OF 3

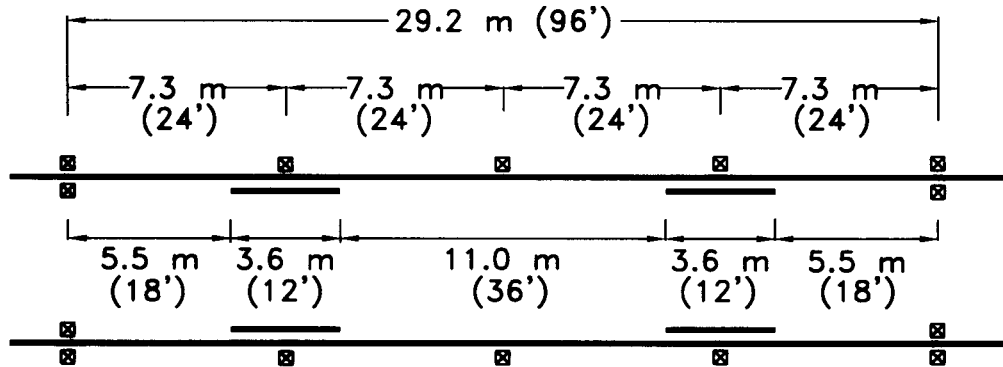
5710-1-REVE.PWG 3/21/01

6/4/01

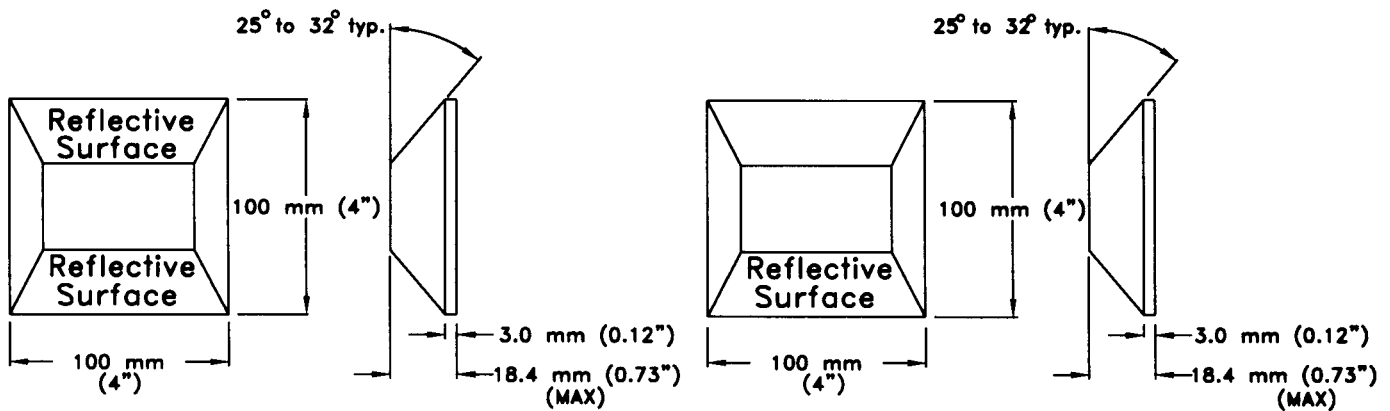
DATE



DETAIL 9: Left edge line without painted stripe



DETAIL 10: Two-way left turn lane



TYPE D
Two-way yellow reflective marker

TYPE G
one-way clear reflective marker

LEGEND

- ☒ Type D 2-way yellow
- ☐ Type G 1-way clear
- Yellow stripe
- ▨ White stripe

CITY OF PASADENA - PUBLIC WORKS & TRANSPORTATION DEPARTMENT

DRAWN BY:
M. MOJICA

CHECKED BY:
D. ORTEGA

SUBMITTED BY:
C. HERNANDEZ

**RAISED PAVEMENT MARKER
INSTALLATION DETAIL**

APPROVED BY:
Bahmanfar

6/4/01
DATE

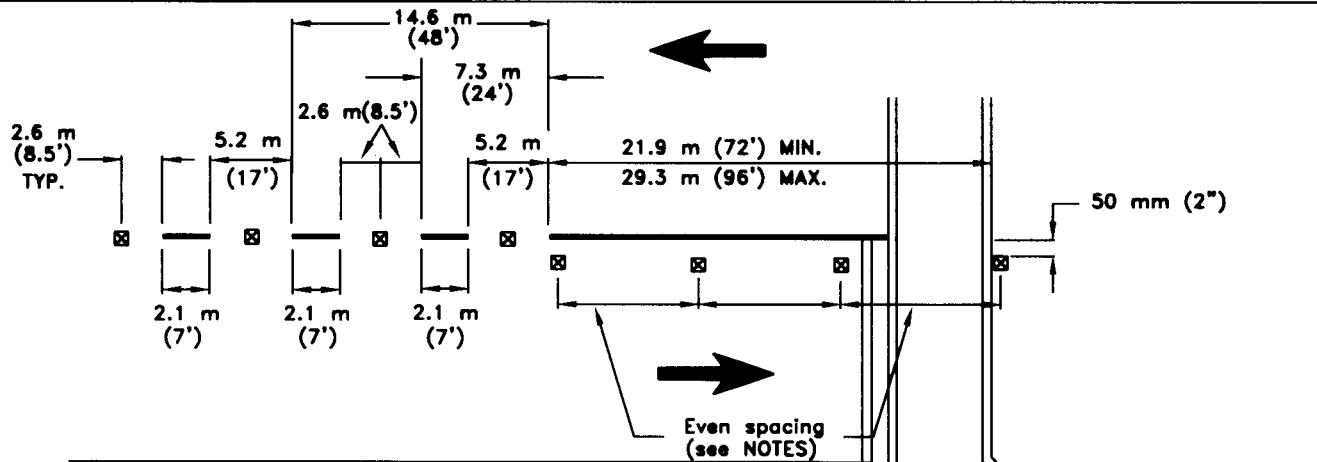
REVISION: 2 UNITS: DUAL

STANDARD PLAN:

S-710

SHEET 2 OF 3
578-P-REVE.DWG 3/21/01

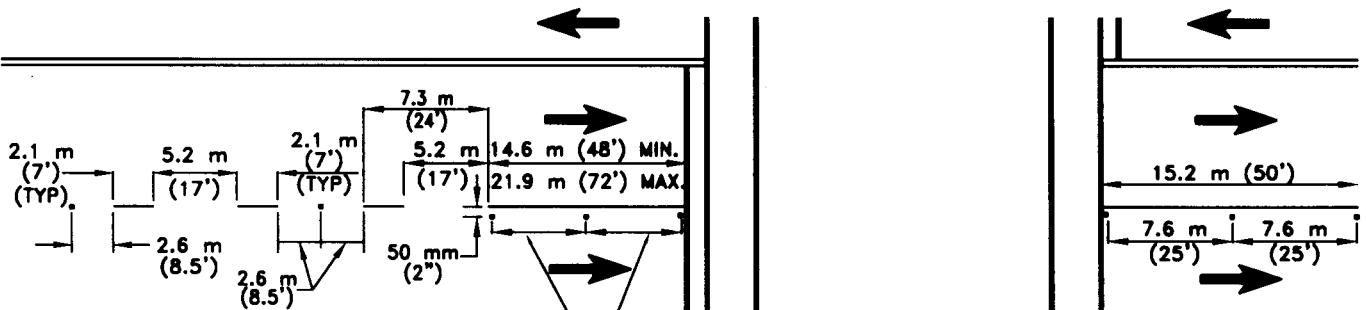
DETAIL 11 LEAD-IN SINGLE YELLOW LINE



NOTES:

1. Always place beginning & end R.P.M.
2. Distance between R.P.M. varies with length of Single yellow lead-in:
 Minimum spacing: 6.1 m (20')
 Standard spacing: 7.3 m (24')
 Maximum spacing: 9.1 m (30')
3. R.P.M. shall not be placed on painted stripes

DETAIL 12 LEAD-IN/LEAD-OUT SOLID WHITE LANE LINE



NOTES:

1. Always place beginning and end R.P.M.
2. Distance between R.P.M. varies with length of solid white Lead-in/Lead-out:
 Minimum spacing: 6.1 m (20')
 Standard spacing: 7.3 m (24')
 Maximum spacing: 9.1 m (30')
3. If left turn pocket is included, the length of lead-in solid white lane line shall equal the length of the left turn pocket unless otherwise specified.

CITY OF PASADENA - PUBLIC WORKS & TRANSPORTATION DEPARTMENT

DRAWN BY: *M.M.*
M. MOJICA

CHECKED BY: *D. ORTEGA*
D. ORTEGA

SUBMITTED BY: *C. HERNANDEZ*
C. HERNANDEZ

**RAISED PAVEMENT
 MARKER
 INSTALLATION DETAIL**

APPROVED BY: *Bahar*

6/4/01
 DATE

TRANSPORTATION ADMINISTRATOR RTE NO. 1820 EXPIRES JUNE 30, 2005

REVISION: 2 UNITS: DUAL

STANDARD PLAN: **S-710**

SHEET 3 OF 3
 5710-3-REV2.DWG 3/22/01