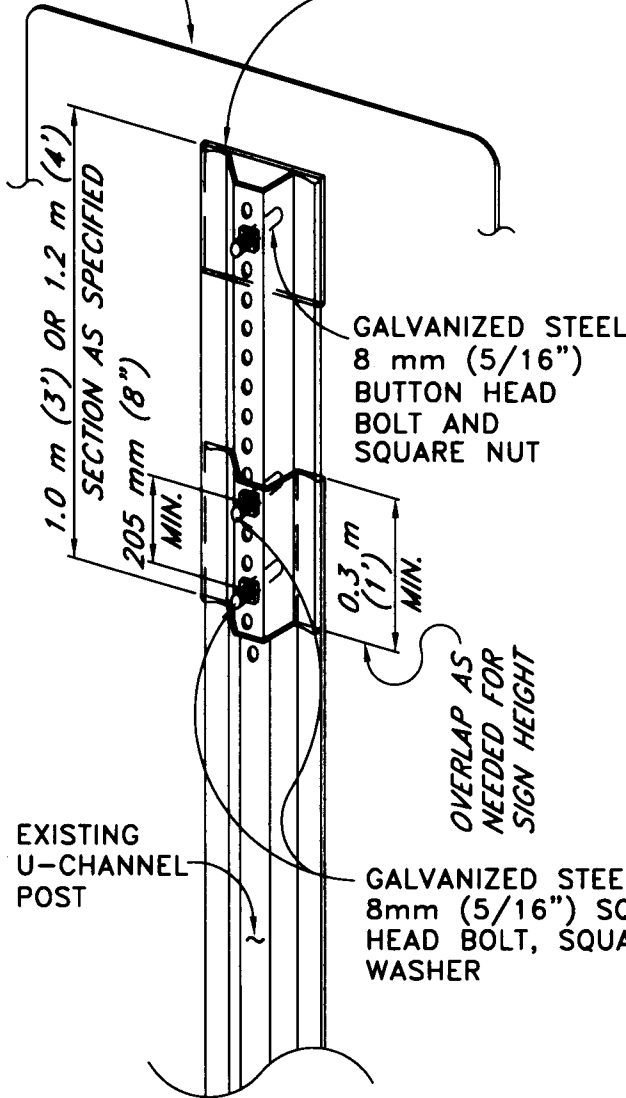


SIGN

5 mm (1/8")
SPACER WITH
FIBER WASHER,
2 EACH SIGN.



EXISTING
U-CHANNEL
POST

GALVANIZED STEEL
8mm (5/16") SQUARE
HEAD BOLT, SQUARE
WASHER

OVERLAP AS
NEEDED FOR
SIGN HEIGHT

U-CHANNEL POST EXTENSION

NOTE:

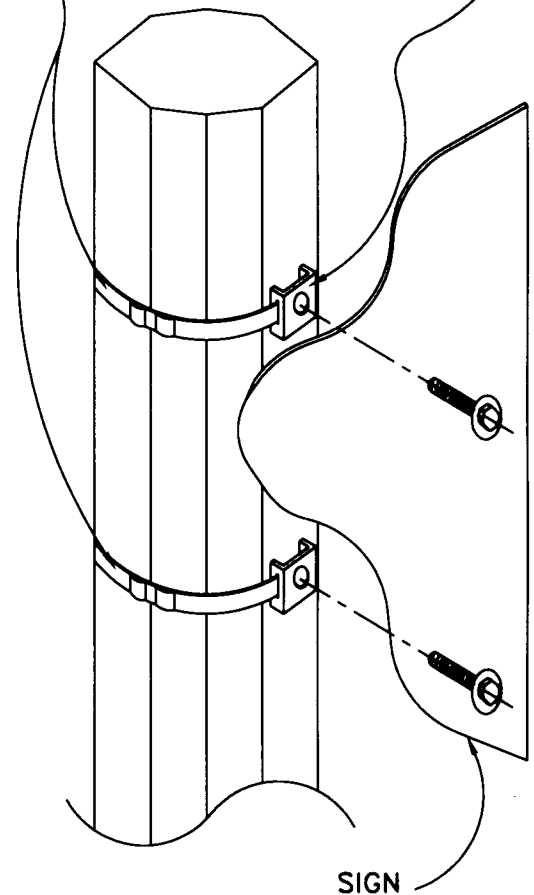
CLEARANCE FROM THE GROUND TO THE BOTTOM OF THE LOWEST SIGN SHALL BE 2.1 m (7').

STRAP MOUNTING

EXISTING STREET LIGHT
OR OTHER POLE

GALVANIZED STEEL STRAPPED-ON
BRACKET WITH 8 mm (5/16")
TAPPED HOLE, STAINLESS STEEL
BRACKET, AND NEOPRENE WASHER.

16 mm x 0.75 mm
(5/8" x 0.03")
STAINLESS STEEL STRAP



SIGN

CITY OF PASADENA - PUBLIC WORKS & TRANSPORTATION DEPARTMENT

DRAWN BY: *M. Mojica*
MAGGIE MOJICA

CHECKED BY: AV
ADOLFO VARGAS

SUBMITTED BY *CH*
CHRISTINE HERNANDEZ

POST EXTENSION AND SIGN MOUNTING

APPROVED BY:

Bahman Jantzer

TRANSPORTATION ADMINISTRATOR RTE NO. 1820 EXPIRES JUNE 30, 2006

REVISION:

1

UNITS:

DUAL

STANDARD PLAN:

S-716

SHEET 1 OF 1

S716-1-REV1.DWG 7/28/01

7-23-01

DATE