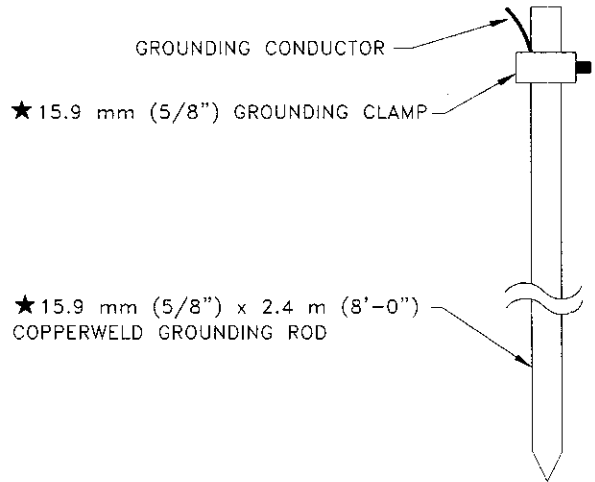
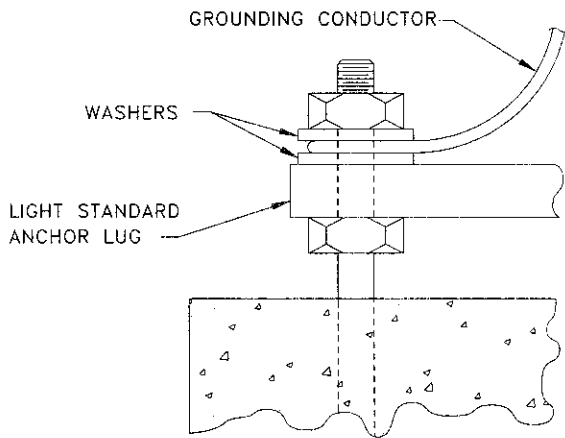


DETAIL "A"

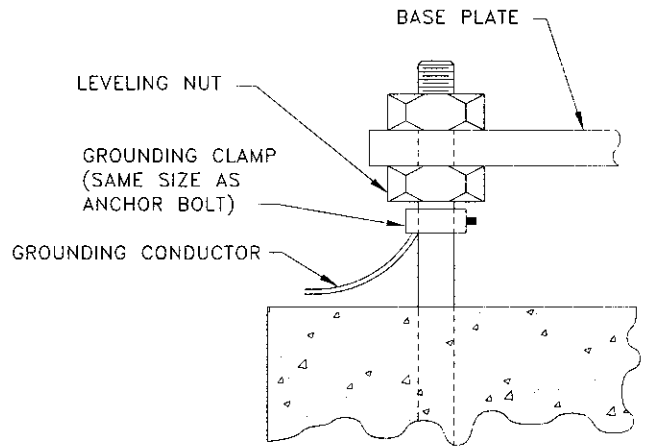


DETAIL "B"



DETAIL "C"

CONCRETE STANDARDS ONLY



DETAIL "D"

STEEL STANDARDS ONLY

NOTES:

CONDUITS IN BASES (FOUNDATIONS) SHALL BE BONDED TO EACH OTHER AS WELL AS TO ONE ANCHOR BOLT. CONDUITS IN PULL BOXES SHALL BE BONDED TO EACH OTHER. WITHIN EACH THREE WIRE ELECTRICAL CIRCUIT, THE CONDUIT SYSTEM SHALL BE GROUNDED TO A MINIMUM OF TWO COPPERWELD GROUNDING RODS LOCATED IN THE TWO NEAREST PULL BOXES TO THE SERVICE POINT AND AT LEAST 1.8 m (6') APART. GROUNDING RODS SHALL BE LOCATED IN PULL BOXES WITH THE TOPS OF THE RODS FLUSH WITH THE TOPS OF THE CONDUITS.

BONDING AND GROUNDING CONDUCTORS SHALL BE A MINIMUM SIZE OF AWG NO. 8 BARE, SOLID COPPER WIRE, EXCEPT CONDUCTORS CONNECTED TO GROUNDING RODS SHALL BE A MINIMUM SIZE OF AWG NO. 6 BARE, SOLID COPPER WIRE. CONDUCTORS SHALL BE CONNECTED TO CONDUIT BY USE OF THREADED GROUNDING BUSHINGS (DETAIL "A") AND TO GROUNDING RODS BY USE OF GROUNDING CLAMPS (DETAIL "B"). THE CONNECTION OF THE GROUNDING CONDUCTOR TO ANCHOR BOLTS OF STANDARDS IS SHOWN IN DETAILS "C" AND "D". THE USE OF OTHER BONDING METHODS OR MATERIAL IS NOT PERMITTED UNLESS APPROVED IN ADVANCE BY THE ENGINEER.

★ - EXACT CONVERSION (ENGLISH DIMENSION WILL REMAIN).

CITY OF PASADENA - PUBLIC WORKS & TRANSPORTATION DEPARTMENT

DRAWN BY:
BANG CHAU

CHECKED BY:
CATHY CHANG

SUBMITTED BY:
JIM VALENTINE

BONDING AND GROUNDING

APPROVED BY:

Stan A. Wright
ACTING CITY ENGINEER RCE NO. 18650 EXPIRES JUNE 30, 2004

5/7/02
DATE

REVISION: 1 UNITS: DUAL

STANDARD PLAN:
S-906

SHEET 1 OF 1
S906-1-RE V2.DWG 04/24/02