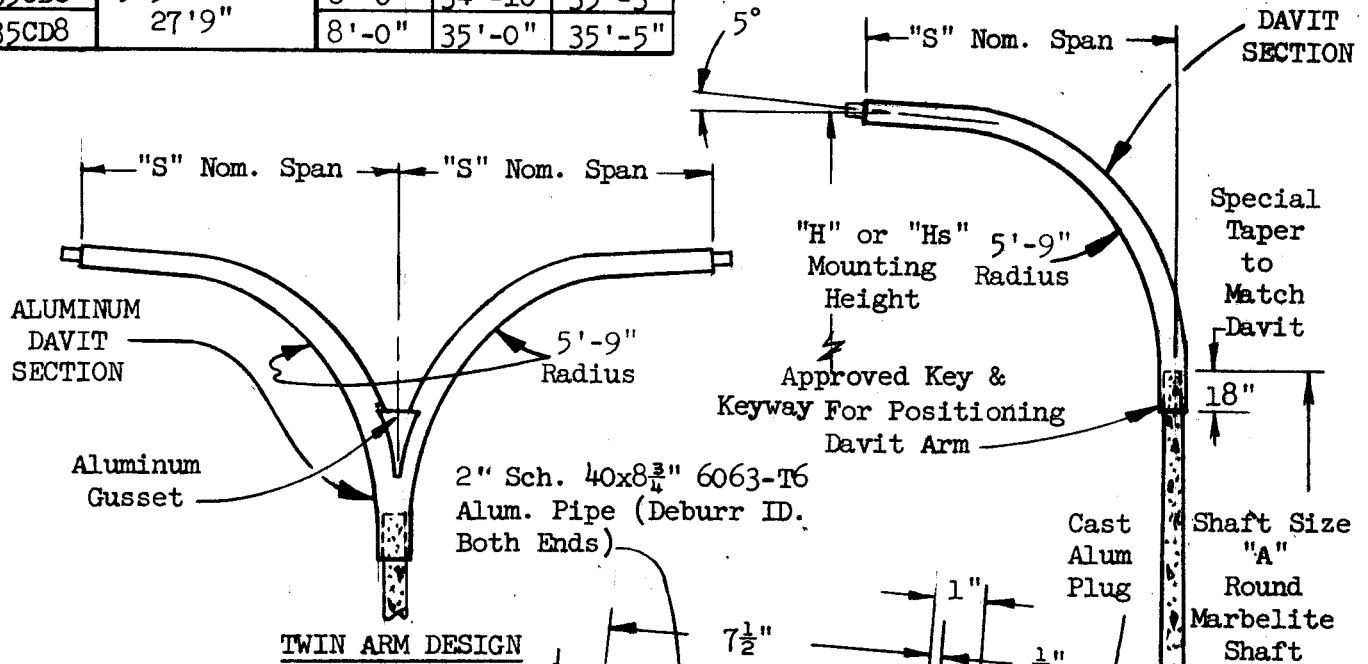
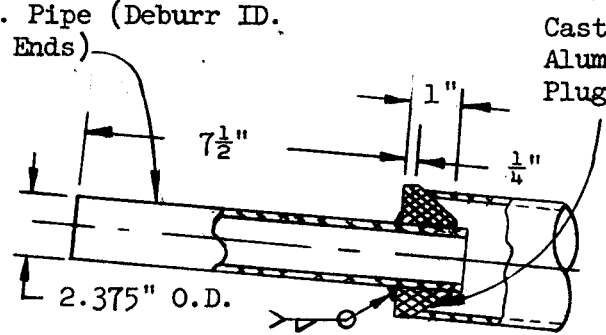


City No.	Shaft Size "A"	NOM Span "S"	MT'G Ht "H"	MT'G Ht "Hs"
30CD6	9.2"x6.0"x	6'-0"	29'-10"	30'-3"
30CD8	22'9"	8'-0"	30'-0"	30'-5"
35CD6	9.9"x6.0"x	6'-0"	34'-10"	35'-3"
35CD8	27'9"	8'-0"	35'-0"	35'-5"

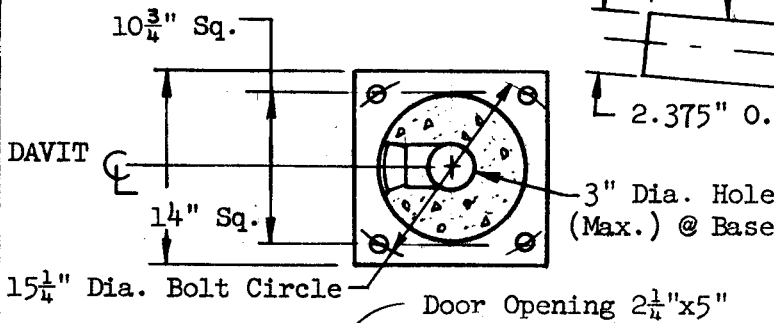
Luminaire-as Specified  
According to Project  
Weight-67 Lbs. Max.  
Project Area-3.3 Sq. Ft. Max.



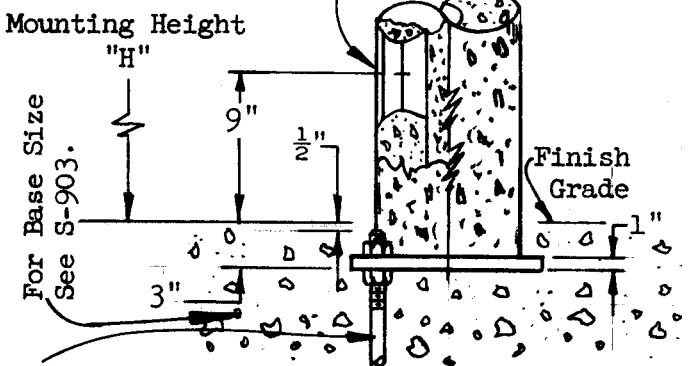
TWIN ARM DESIGN



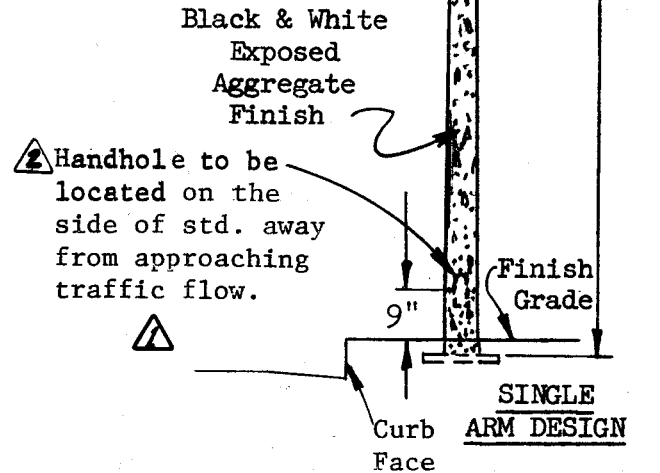
TENON DETAIL



DAVIT  
15 1/4" Dia. Bolt Circle  
Door Opening 2 1/4"x5"



For Base Size See S-903.  
MOUNTING HEIGHT "H"  
9"  
1/2"  
3"  
Finish Grade  
1"  
(4) 1 1/8"x40"x4" Galv. Anchor Rod w/(2) Galv. Hex Nut Per Rod.  
STANDARD BASE



SINGLE ARM DESIGN

REVISIONS			CITY OF PASADENA - PUBLIC WORKS DEPARTMENT	
SYM	DESCRIPTION	DATE	CONCRETE DAVIT ARM MARBELITE LIGHTING STANDARD	
△	Delete bridge structure detail	12-22-71		
△	REVISE HANDHOLE POSITION	6-10-75	DRAWING NO.	
			DRAWN BY: Chan	
			CHECKED BY: Lahay	
			APPROVED BY: <i>aa Krieger</i> DATE: 7/27/71	
			Asst Dir. of Public Works	
			SCALE NONE	
			SHEET / OF 2	

