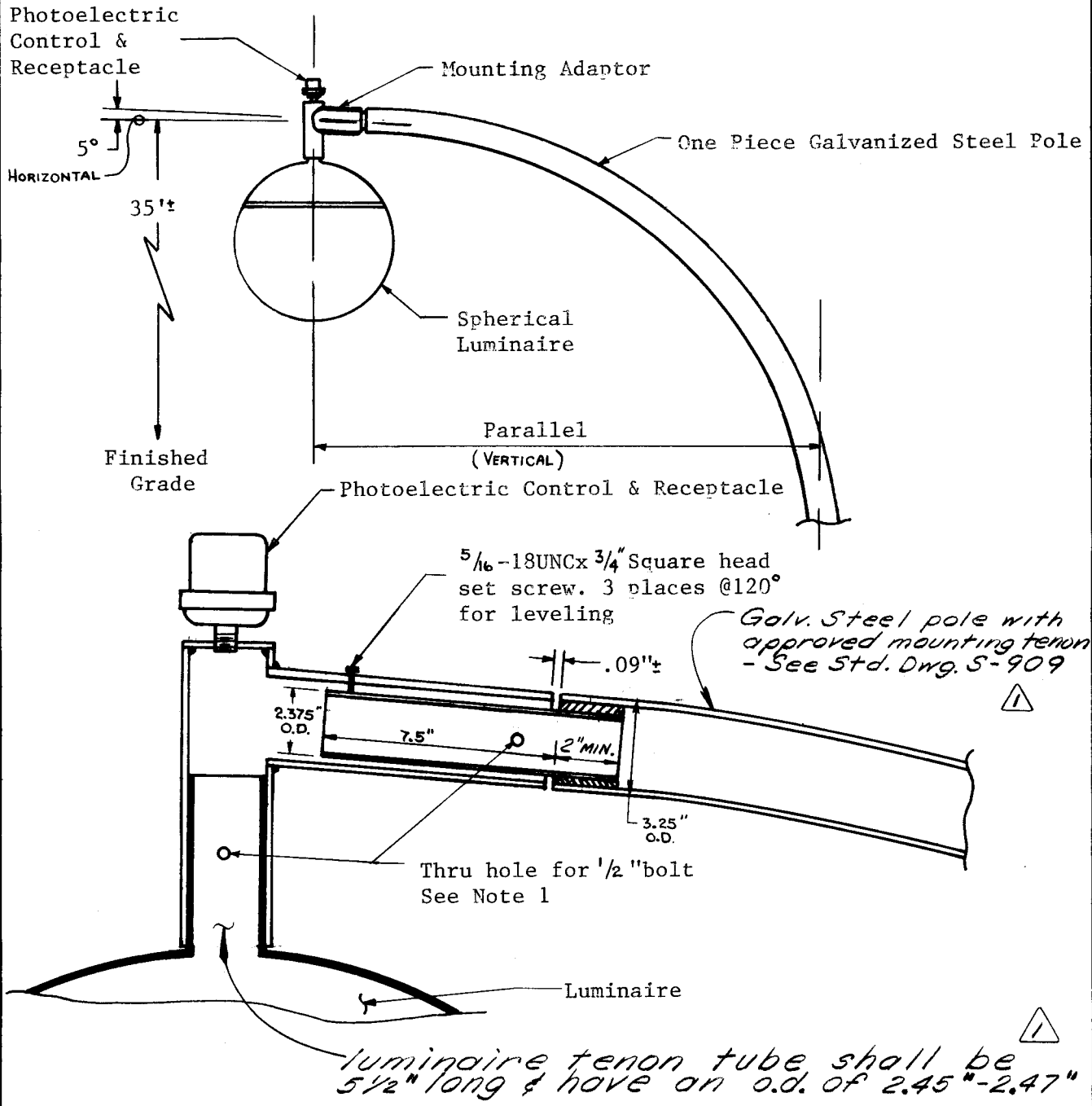


APVD.	
REVISION	
DATE BY	
APVD.	DAK
REVISION	Added notes
DATE BY	BBM 10/8/76 JAC

NOTES:

1. The luminaire tail, mounting adaptor, and pole tenon shall have mounting bolt holes drilled in them and shall be attached by using 1/2" x 4 1/2" galvanized bolts, with flat washers, nut and lock nut.
2. The spherical globe shall be hinged on the side away from approaching traffic flow.



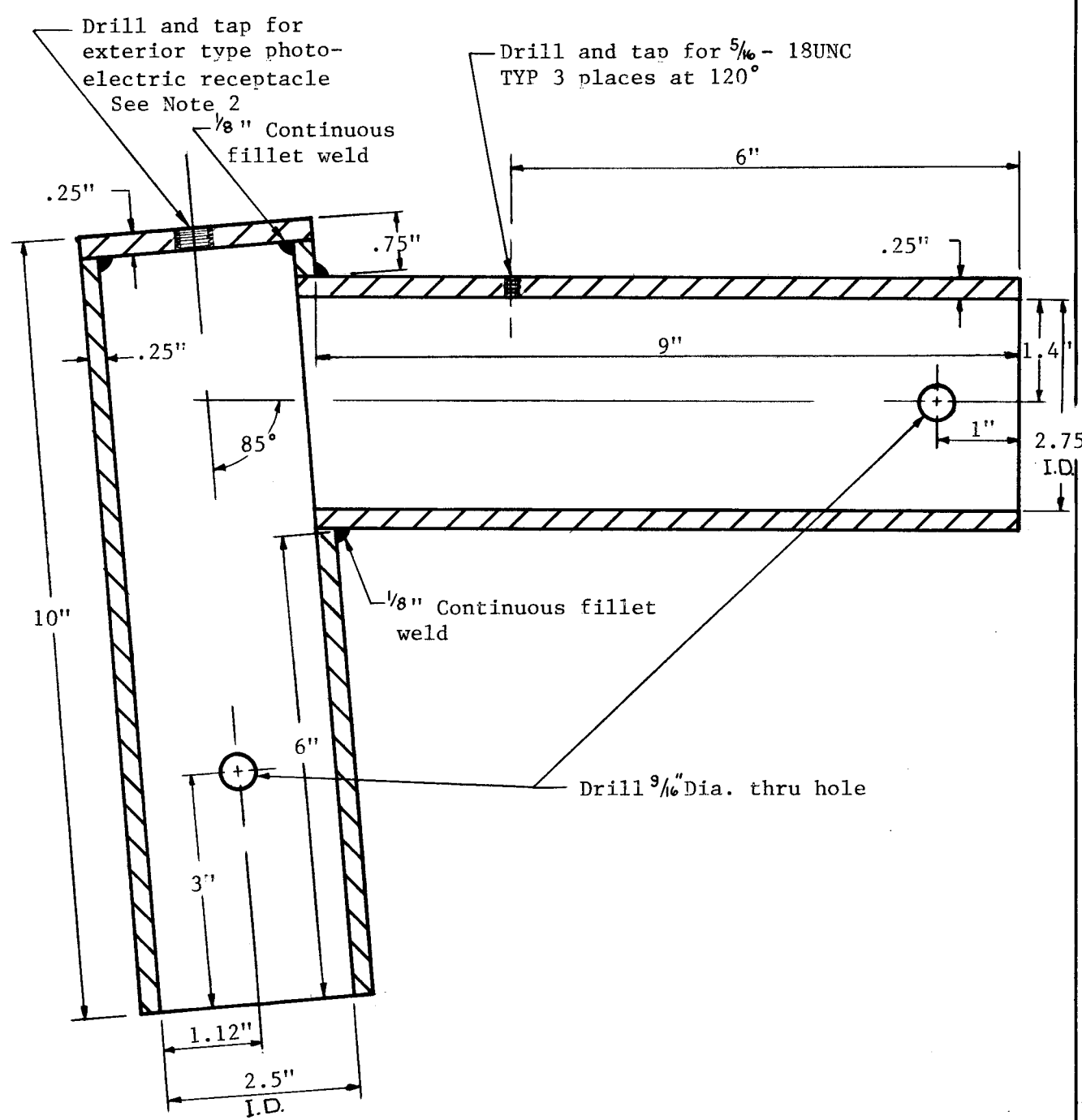
CITY OF PASADENA - PUBLIC WORKS DEPT. - TRAFFIC DIVISION

<b>DRAWN:</b> J. WOOD
<b>CHECKED:</b> MFA/IJL
<b>APPROVED:</b> <i>M. Krueger</i>
<b>DATE:</b> 4/20/76

Spherical Luminaire Mounting  
Adaptor  
  
LUMINAIRE MOUNTING DETAIL

<b>SCALE:</b> NONE
<b>DRAWING NO.</b> S-911
SHT. 1 of 2

APVD.	
REVISION	
BY	
DATE	
APVD.	
REVISION	
BY	
DATE	



- NOTES:
1. The mounting adaptor ends shall be free of burrs and sharp projections. The mounting adaptor shall be constructed of 6063-T6 aluminum or galvanized steel tubing with  $\frac{1}{4}$ " wall thickness and inside diameters as shown.
  2. Mounting adaptor to be drilled and tapped as shown to accept exterior type photoelectric receptacle, General Electric Catalogue #C 403 G001 or approved equal.

**CITY OF PASADENA - PUBLIC WORKS DEPT. - TRAFFIC DIVISION**

**DRAWN:** J. WOOD  
**CHECKED:** MFA/IJL  
**APPROVED:** *AdKroyer*  
**DATE:** 4/20/76

Spherical Luminaire Mounting  
 Adaptor  
 MOUNTING ADAPTOR DETAIL

**SCALE:** NONE  
**DRAWING NO.**  
 S-911  
 Sht. 2 of 2