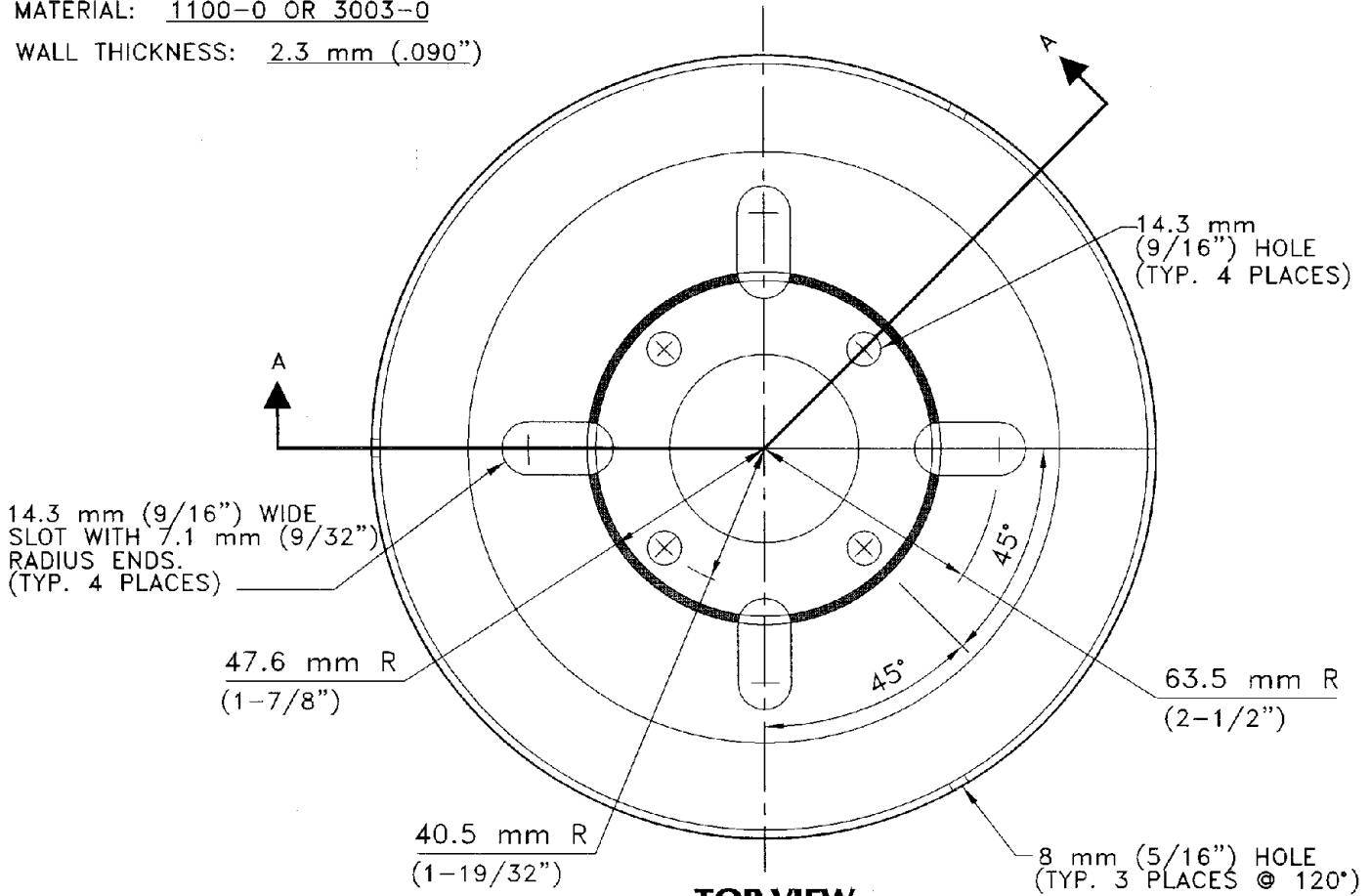


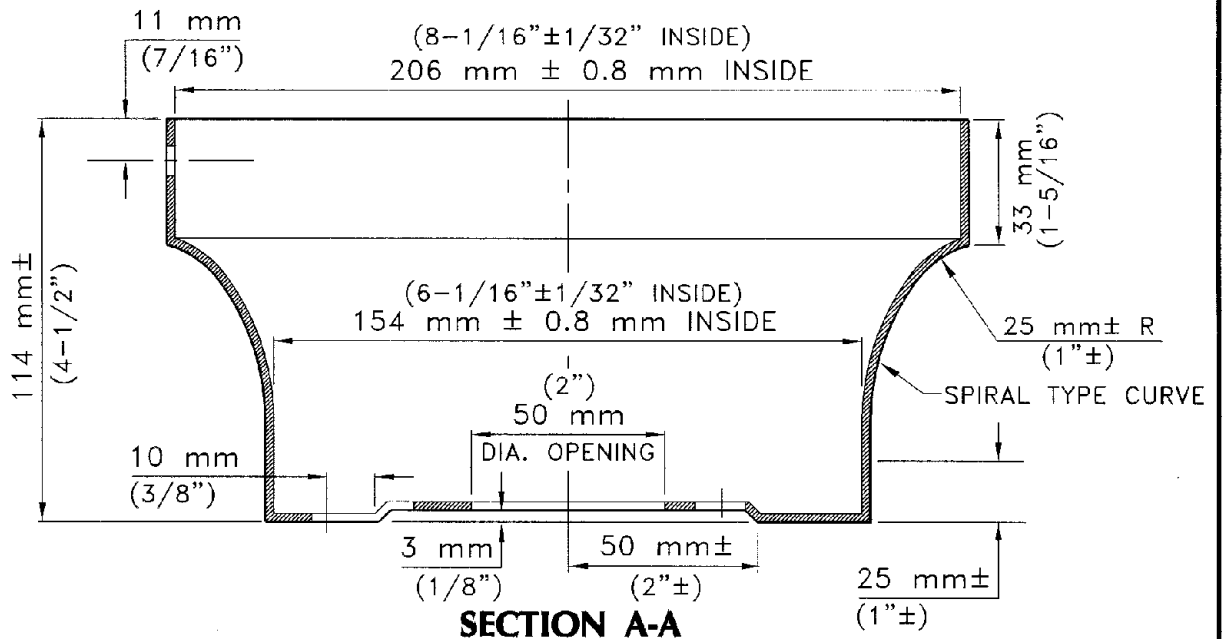
FINISH: STANDARD ALUMINUM SPUN FINISH UNIFORM IN COLOR AND TEXTURE AND FREE OF BURRS.

MATERIAL: 1100-0 OR 3003-0

WALL THICKNESS: 2.3 mm (.090")



TOP VIEW



SECTION A-A

CITY OF PASADENA - PUBLIC WORKS & TRANSPORTATION DEPARTMENT

DRAWN BY:
ARNOLD DICHOSA

CHECKED BY:
CATHY CHANG

SUBMITTED BY:
JIM VALENTINE

SPUN ALUMINUM
GLOBE HOLDER

APPROVED BY:

CITY ENGINEER RCE NO. 38689 EXPIRES MARCH 31, 2005

REVISION: 2
UNITS: DUAL

STANDARD PLAN:

S-914

SHEET 1 OF 1

01/24/2003
DATE

