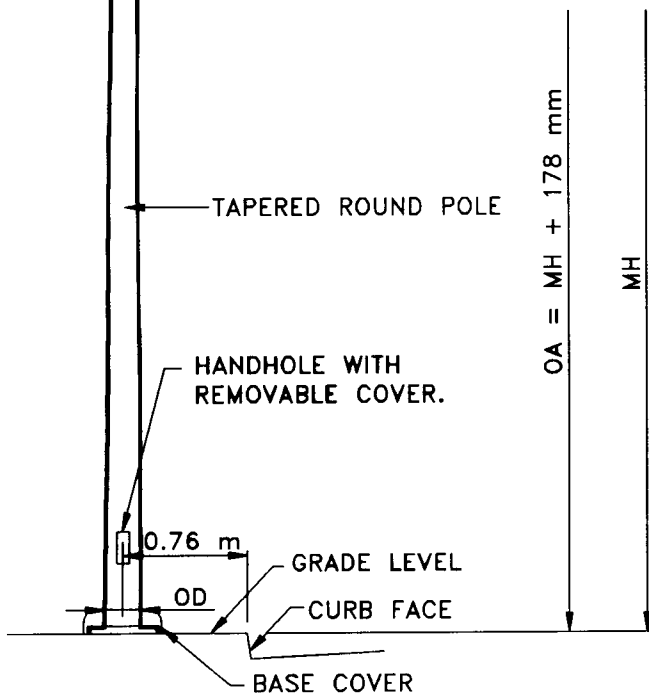


HORIZONTAL BURNING LUMINAIRE - SEE CITY OF PASADENA STANDARD PLAN S-950

LUMINAIRE: MAXIMUM WEIGHT = 27.2 kg
PROJECTED AREA = 0.31 m²

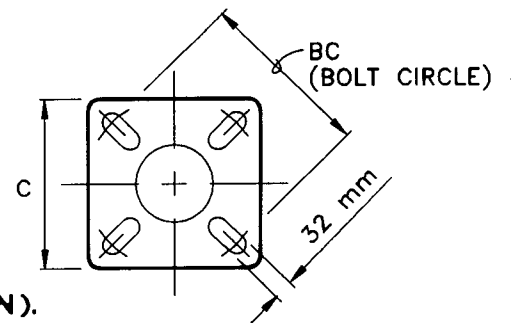
MANUFACTURER OR APPROVED EQUAL		MH*	A	POLE SIZE				
AMERON	PUMCO			B	OD	MIN. GAGE	BC	C
A266	FA1125	8.1 m	1.8 m	7.6 m	186 mm x 96 mm	11	292 mm	292 mm
A306	FA1130	9.7 m	1.8 m	9.1 m	203 mm x 96 mm	11	292 mm	292 mm
A308	FA1130	9.9 m	2.4 m	9.1 m	203 mm x 96 mm	11	292 mm	292 mm
A368	FA1135	11.4 m	2.4 m	10.7 m	216 mm x 91 mm	11	292 mm	343 mm

* MH GIVEN IS FOR UNION METAL CO. POLE, AMERON POLE MH IS 76 mm TO 127 mm LESS



NOTES:

1. FOR GROUNDING DETAILS, SEE CITY OF PASADENA STANDARD PLAN S-906.
2. FOR FOUNDATION DETAILS, SEE CITY OF PASADENA STANDARD PLAN S-972.
3. LOCATE HANDHOLE ON SIDE OF STANDARD AWAY FROM APPROACHING TRAFFIC.
4. POLE SHALL BE GALVANIZED UNLESS OTHERWISE NOTED.



★ - EXACT CONVERSION (ENGLISH DIMENSION WILL REMAIN).

CITY OF PASADENA - PUBLIC WORKS & TRANSPORTATION DEPARTMENT

DRAWN BY:
BANG CHAU

CHECKED BY:
CATHY CHANG

SUBMITTED BY:
JIM VALENTINE

**★ ELECTROLIER TYPE I
(TAPERED, ROUND, STEEL)**

APPROVED BY:
William D. Setz
CITY ENGINEER RCE NO. 13716 EXPIRES MARCH 31, 1997

DATE: *9/9/96*

REVISION: 1 UNITS: METRIC

STANDARD PLAN:
S-920

SHEET 1 OF 1
S920-1-1.DWG 03/25/96