

HORIZONTAL BURNING LUMINAIRE - SEE CITY OF PASADENA STANDARD PLAN S-950

LUMINAIRE: MAXIMUM WEIGHT = 15.9 kg (35 lbs)

∅ LUMINAIRE PROJECTED AREA = 0.19 m² (2 sq.ft)

MANUFACTURER (OR APPROVED EQUAL)		DIMENSIONS ±			
AMERON 2-C2	PUMCO	MH	A	B	E
17-A6	1017-K6	6.4 m (21')	1.8 m (6')	5.6 m (18.5')	185 mm (7.3')
23-A6	1023-K6	8.2 m (27')	1.8 m (6')	7.6 m (24.5')	208 mm (8.2')

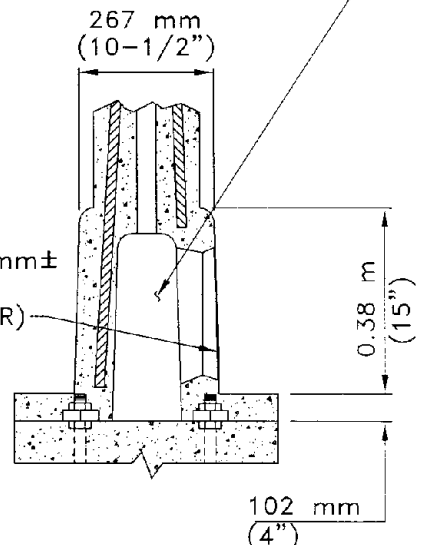
NOTES:

1. FOR GROUNDING DETAILS, SEE CITY OF PASADENA STANDARD PLAN S-906.
2. FOR FOUNDATION DETAILS, SEE CITY OF PASADENA STANDARD PLAN S-972.
3. LOCATE HANDHOLE ON SIDE OF STANDARD AWAY FROM APPROACHING TRAFFIC.

ACCESS HOLE

114 mm ± x 152 mm ± x 381 mm ±
(4-1/2" ± x 6" ± x 15" ±)

DOOR OPENING
76 mm ± x 254 mm ±
(3" ± x 10" ±)
(WITH GALV. COVER)



SECTION

★ - EXACT CONVERSION (ENGLISH DIMENSION WILL REMAIN).

CITY OF PASADENA - PUBLIC WORKS & TRANSPORTATION DEPARTMENT

DRAWN BY:
ARNOLD DICHOSA

CHECKED BY:
CATHY CHANG

SUBMITTED BY:
JIM VALENTINE

**★ ELECTROLIER TYPE IV
(PRESTRESSED CONCRETE)**

APPROVED BY:
David A. B...
CITY ENGINEER RCE NO. 38689 EXPIRES MARCH 31, 2005

01/24/2003
DATE

REVISION: 2 UNITS: DUAL

STANDARD PLAN:
S-923

SHEET 1 OF 1