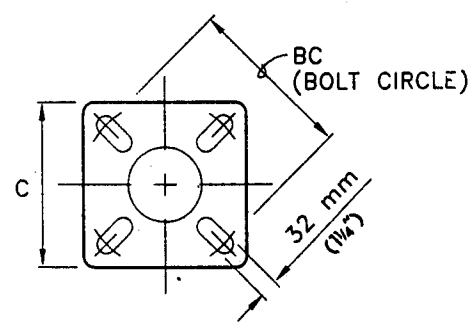


MANUFACTURER (OR APPROVED EQUAL)		MH	POLE SIZE				
AMERON	PUMCO		B	OD	MIN. GAGE	BC	C
F-250-0	MODIFIED FA1125	7.5 m (24'-6")	7.6 m (25')	185 mm x 96 mm (7.3" x 3.8")	11	292 mm (11½")	292 mm (11½")
F-300-0	MODIFIED FA1130	9.0 m (29'-6")	9.1 m (30')	203 mm x 96 mm (8.0" x 3.8")	11	292 mm (11½")	292 mm (11½")
F-350-0	MODIFIED FA1135	10.5 m (34'-6")	10.7 m (35')	216 mm x 91 mm (8.5" x 3.6")	11	292 mm (11½")	343 mm (13½")

**NOTES:**

1. FOR GROUNDING DETAILS, SEE CITY OF PASADENA STANDARD PLAN S-906.
2. FOR FOUNDATION DETAILS, SEE CITY OF PASADENA STANDARD PLAN S-972.
3. LOCATE HANDHOLE ON SIDE OF STANDARD AWAY FROM APPROACHING TRAFFIC.
4. POLE SHALL NOT BE GALVANIZED. IT SHALL BE GIVEN A FACTORY PRIMED PAINT UNDERCOAT AND FINISHED WITH TWO COATS OF "DARK BRONZE" COLOR COLORANT. FINISH COATS SHALL BE FACTORY OR FIELD APPLIED IN ACCORDANCE WITH PAINT MANUFACTURER'S RECOMMENDATIONS AND SPECIAL PROVISIONS.



**CITY OF PASADENA - PUBLIC WORKS & TRANSPORTATION DEPARTMENT**

DRAWN BY:  
ARNOLD DICHOSA

CHECKED BY:  
CATHY CHANG

SUBMITTED BY:  
JIM VALENTINE

**ELECTROLIER TYPE V  
(TAPERED, ROUND, STEEL)**

APPROVED BY:  
*[Signature]*  
CITY ENGINEER RCE NO. 38689 EXPIRES MARCH 31, 2005

DATE: 6/17/2003

REVISION: 2 UNITS: DUAL

STANDARD PLAN:  
**S-924**

SHEET 1 OF 1  
S-924-1-1REV2.DWG 05/20/03