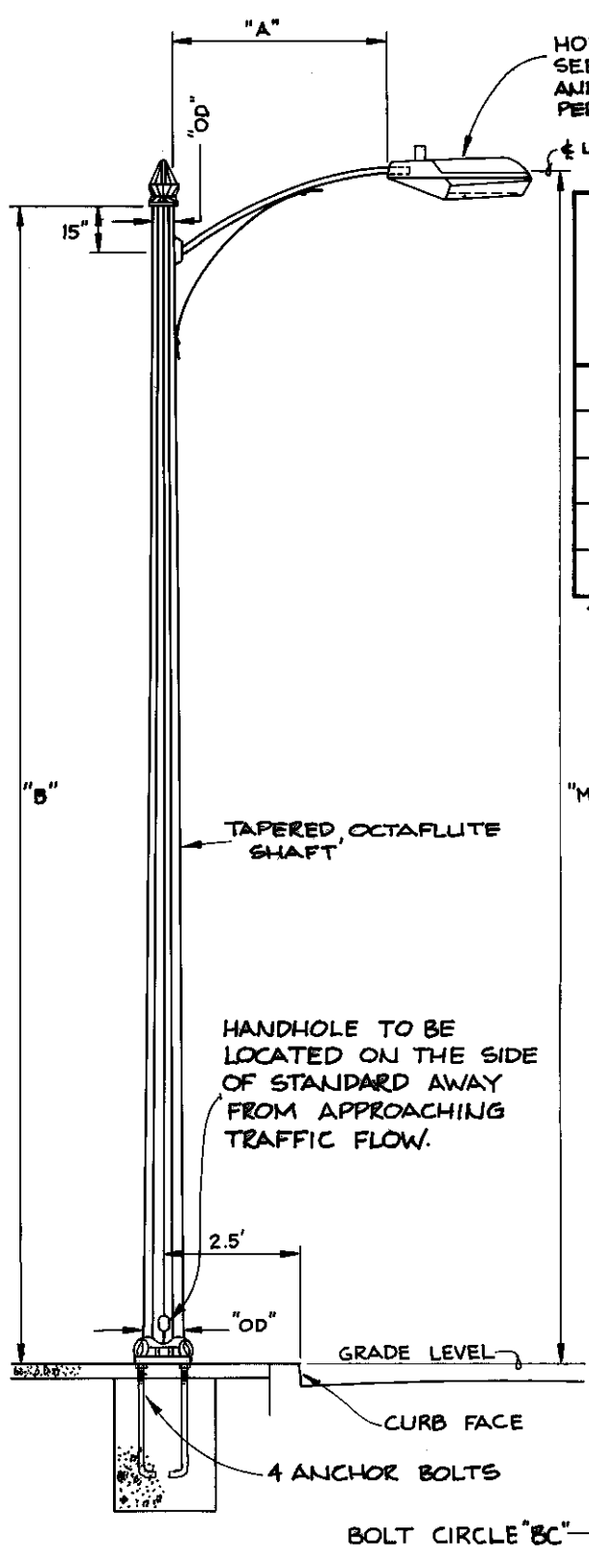


APVD. REVISION DATE BY APVD. REVISION DATE BY APVD. REVISION DATE BY



HORIZONTAL BURNING LUMINAIRE
SEE STD. DWG. NO. S-950. LUMINAIRE
AND MAST ARM TO BE PAINTED DARK BRONZE
PER NOTE 3.

⊥ LUMINAIRE

UNION * METAL CORP.	POLE SIZE						
	"MH"	"A"	"B"	"OD"	MINI GAGE	"BC"	"C"
401A	31'	6'	30'	8"×38"	11	11"	11.5"

* OR APPROVED EQUAL

NOTES:

1. FOR GROUNDING DETAILS, SEE STD. DWG. S-906A.
2. FOR FOUNDATION DETAILS, SEE STD. DWG. S-972.
3. POLE SHALL NOT BE GALVANIZED. IT SHALL BE GIVEN A FACTORY PRIMED PAINT UNDERCOAT AND FINISHED WITH TWO COATS ACRYLIC LATEX MEDIUM GLOSS TRIM PAINT (FULLER O'BRIEN NO. 664-XX OR APPROVED EQUAL) IN DARK BRONZE COLOR EQUIVALENT TO # 313 DURANODIC. FINISH COATS SHALL BE FACTORY OR FIELD APPLIED IN ACCORDANCE WITH PAINT MANUFACTURER'S RECOMMENDATIONS AND THE SPECIAL PROVISIONS.

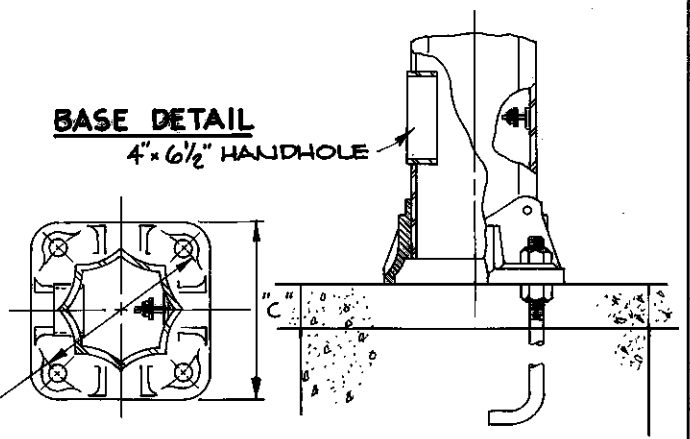
"MH"

TAPERED, OCTAFLUTE
SHAFT

HANDHOLE TO BE
LOCATED ON THE SIDE
OF STANDARD AWAY
FROM APPROACHING
TRAFFIC FLOW.

BASE DETAIL

4"×6½" HANDHOLE



CITY OF PASADENA - PUBLIC WORKS DEPT. - TRAFFIC DIVISION

DRAWN: M.J.GOOD
CHECKED: G.WEISS
APPROVED: *AA Krieger*
DATE: 4/1/85

SPECIAL ELECTROLIER
TYPE SP-5
(OCTAFLUTE STEEL)

SCALE: NONE
DRAWING NO.
S-944T