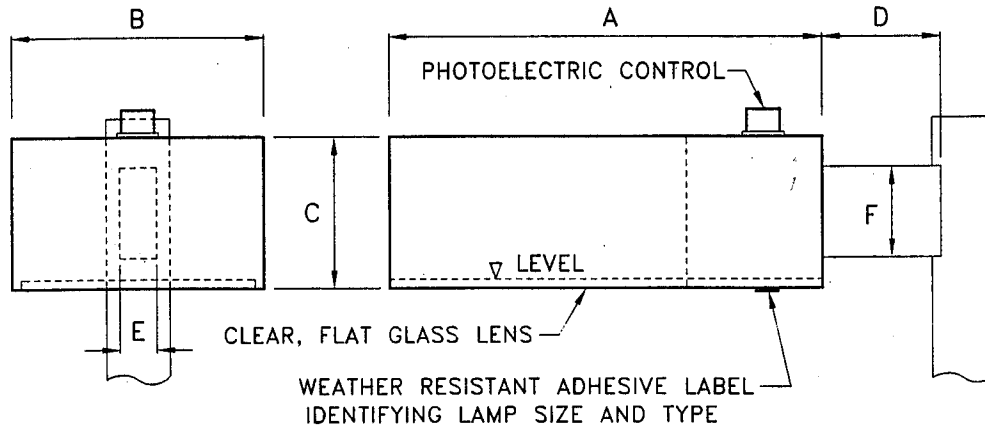


MANUFACTURER (OR APPROVED EQUAL)		LUMINAIRE			ARM		
		A	B	C	D	E	F
KIM	EKG 501 (150 - 400W)	737 mm (29 in)	430 mm (17 in)	254 mm (10 in)	203 mm (8 in)	64 mm (2½ in)	152 mm (6 in)
G.E.	DS-250 (70 - 100W)	584 mm (23 in)	360 mm (14 in)	203 mm (8 in)	203 mm (8 in)	57 mm (2¼ in)	178 mm (7 in)
	DS-400 (150 - 400W)	686 mm (27 in)	410 mm (16 in)	254 mm (10 in)	203 mm (8 in)	57 mm (2¼ in)	178 mm (7 in)



NOTES: (Also see Special Provisions)

1. RECTANGULAR LUMINAIRE SHALL:
 - A. CONFORM TO SECTION 86-6.01 OF THE STATE SPECIFICATIONS.
 - B. INCLUDE LAMP AND INTEGRAL BALLAST AS SPECIFIED BELOW.
 - C. HAVE A TWIST LOCK TYPE PHOTOELECTRIC (P.E.) RECEPTACLE WIRED FOR 120 VOLT (NOMINAL) OPERATION OR CAPPED AND ELECTRICALLY ISOLATED WHEN LUMINAIRE IS SERIES - 6.6A.
 - D. INCLUDE A PHOTOELECTRIC (P.E.) CONTROL (IF MULTIPLE) AS SPECIFIED BELOW.
 - E. PROVIDE MEDIUM - CUTOFF - TYPE III I.E.S. LIGHT DISTRIBUTION.
 - F. BE "DARK BRONZE" COLOR FINISH PAINT, INCLUDING LUMINAIRE ARM CONFORMING TO SPECIAL SPECIFICATIONS.
2. BALLAST:
 - A. MULTIPLE BALLASTS SHALL BE 120V / 60 HZ. MAGNETIC REGULATOR FOR HPS AND REGULATOR TYPE FOR MERCURY VAPOR.
3. LAMPS SHALL:
 - A. BE OF THE TYPE AND WATTAGE NOTED ON THE PLANS.
 - B. BE OF THE CLEAR, HARD GLASS TYPE.
 - C. HAVE A MINIMUM RATED LIFE OF 24000 HOURS.
 - D. HAVE DESIGN CENTER VOLTAGE OF 55 IF 150 WATT HPS LAMPS ARE USED.
4. P.E. CONTROLS SHALL:
 - A. BE TYPE IV (STATE SPECIFICATIONS).
 - B. HAVE BUILT IN SURGE PROTECTION, DELAYED RESPONSE AND "LIGHT-ON" FAIL SAFE.
 - C. BE THE FOLLOWING OR APPROVED EQUAL: FISHER PIERCE PART NO. 6690B
RIPLEY SUNSWITCH PART NO. 6190

CITY OF PASADENA - PUBLIC WORKS & TRANSPORTATION DEPARTMENT

DRAWN BY:
ARNOLD DICHOSA

CHECKED BY:
CATHY CHANG

SUBMITTED BY:
JIM VALENTINE

**HIGH PRESSURE SODIUM (HPS)
RECTANGULAR LUMINAIRE**

APPROVED BY:
David A. R.
CITY ENGINEER RCE NO. 38689 EXPIRES MARCH 31, 2005

6/17/2003
DATE

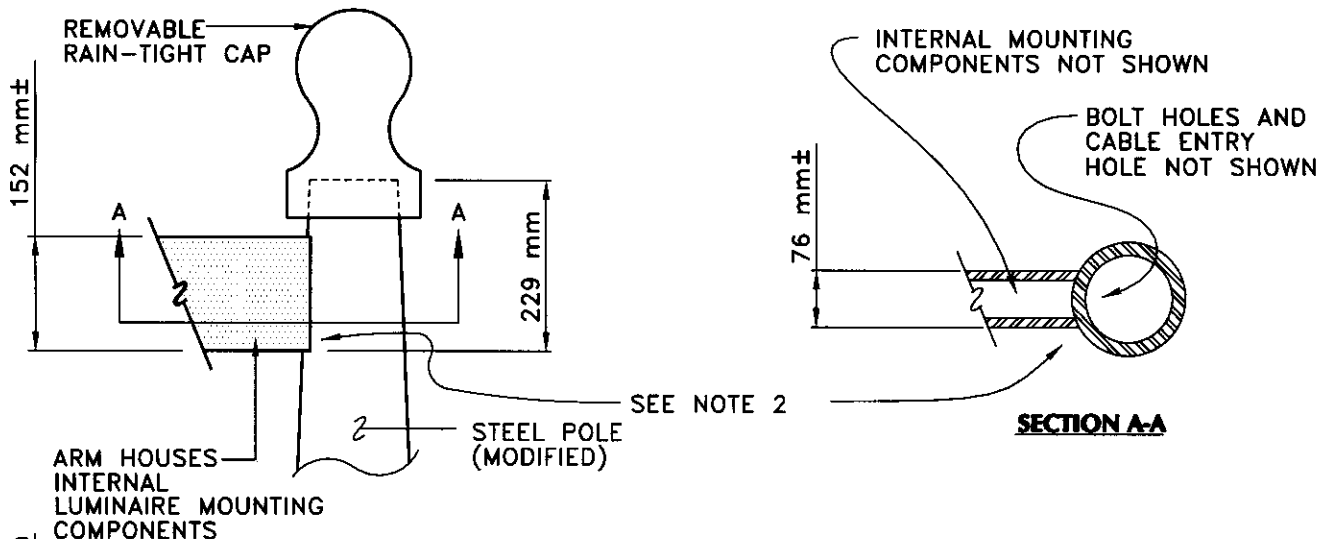
REVISION: 2 UNITS: DUAL

STANDARD PLAN:

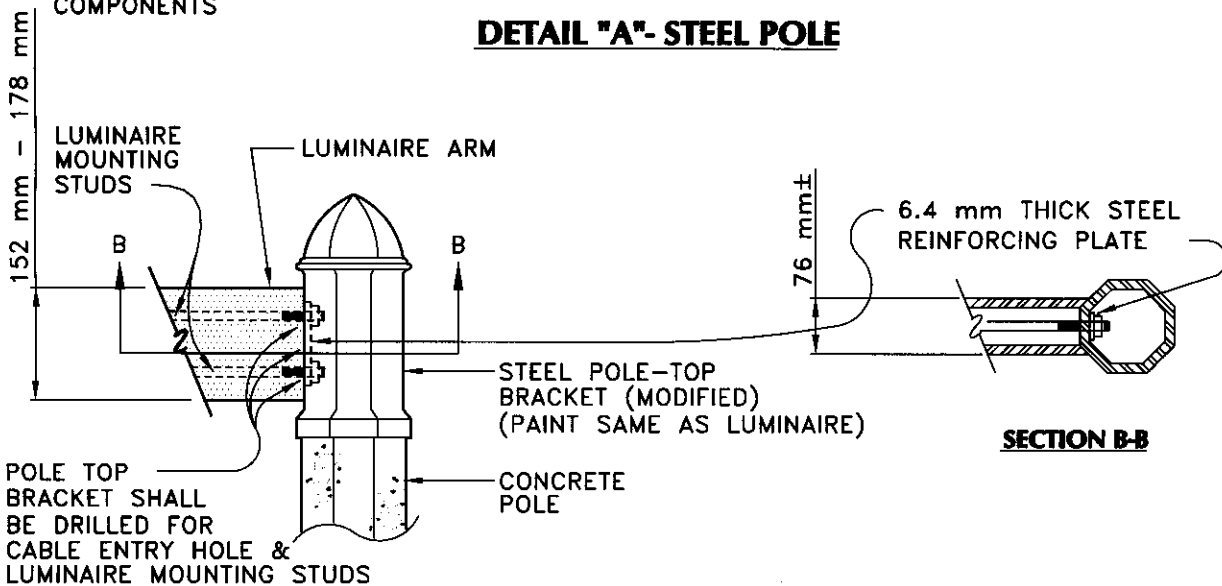
S-951

SHEET 1 OF 2

S951-1REV2 DWG. 05/20/03



DETAIL "A"- STEEL POLE



DETAIL "B"- CONCRETE POLE

NOTES:

1. EACH STREET LIGHT POLE OR COMBINATION TRAFFIC SIGNAL / STREET LIGHT POLE FOR USE WITH RECTANGULAR LUMINAIRES (CITY OF PASADENA STANDARD PLAN S-951) SHALL BE FURNISHED WITHOUT PERMANENTLY ATTACHED OR WELDED APPENDAGES FOR LUMINAIRE ARM MOUNTING.
2. THE POLE TOP OR THE POLE TOP BRACKET (AS IN THE CASE OF CONCRETE POLE) SHALL BE PLANE SURFACED WITH ONLY MOUNTING HOLES AND CABLE ENTRY HOLES DRILLED FOR THE APPROPRIATE LUMINAIRE ARM MOUNTING. A REMOVABLE RAIN TIGHT CAP SHALL BE FURNISHED.
3. THE LUMINAIRE ARM SHALL BE ADAPTED TO A NEAT UNIFORM FIT AT THE POLE BY A) MACHINING THE END OF THE ARM TO THE CORRECT POLE SHAPE OR B) BY UTILIZING A PROPERLY SHAPED SHIMMING DEVICE AS AN ADJUNCT TO THE STANDARD ARM. THE DIMENSIONAL REQUIREMENTS FOR THE ABOVE SHALL BE OBTAINED FROM THE POLE MANUFACTURER.

CITY OF PASADENA - PUBLIC WORKS & TRANSPORTATION DEPARTMENT

DRAWN BY:
TONY FROSSARD

CHECKED BY:
CATHY CHANG

SUBMITTED BY:
JIM VALENTINE

**TRAFFIC SIGNAL AND
STREET LIGHT STANDARDS
FOR RECTANGULAR LUMINAIRES**

APPROVED BY:
William J. Sato
CITY ENGINEER RCE NO. 13716 EXPIRES MARCH 31, 1997

5-9-96
DATE

REVISION: 1
UNITS: METRIC

STANDARD PLAN:

S-951

SHEET 2 OF 2
S951-2-L.PVG 03/25/96