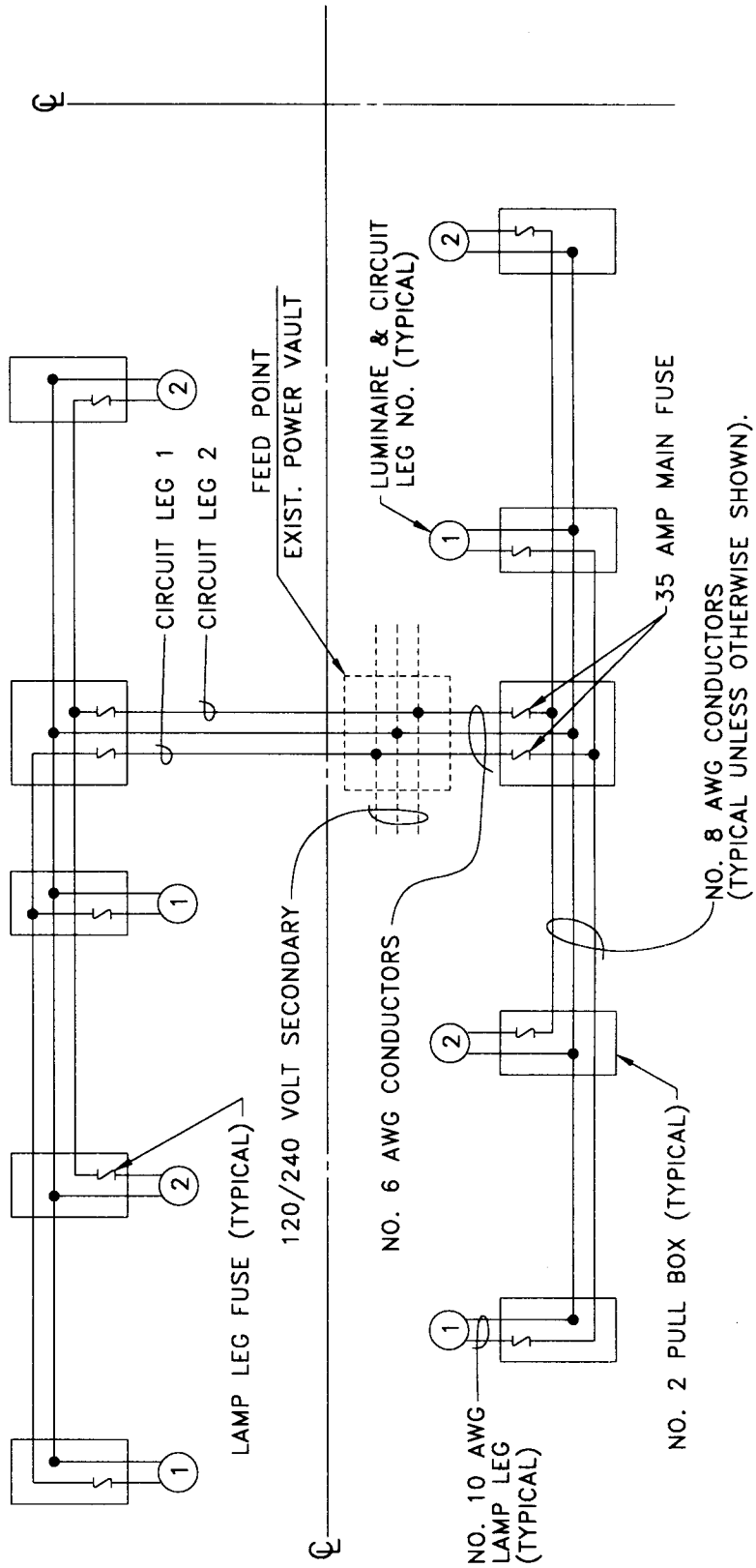
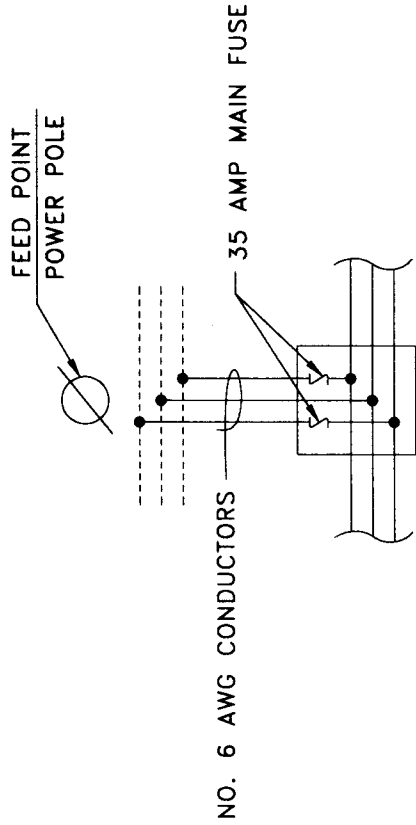


LAMP LEG FUSE SIZE	LAMP
10 AMP	INCANDESCENT
15 AMP	ALL OTHERS

**NOTES:**

1. SEE STANDARD LEGEND/GENERAL NOTES SHEET OF PLAN FOR FEED POINT REQUIREMENTS.
2. CONDUCTORS SHALL BE TYPE THW/THWN, 600V AND SHALL COMPLY WITH CITY OF PASADENA STANDARD PLAN S-974.



**CITY OF PASADENA - PUBLIC WORKS & TRANSPORTATION DEPARTMENT**

DRAWN BY:  
**BANG CHAU**

CHECKED BY:  
**CATHY CHANG**

SUBMITTED BY:  
**JIM VALENTINE**

**STREET LIGHT CIRCUIT DIAGRAM  
120 VOLT MULTIPLE**

APPROVED BY:  
*Steve D. Wright*  
ACTING CITY ENGINEER RCE NO. 46650 EXPIRES JUNE 30, 2004

DATE: **5/7/02**

REVISION: **2** UNITS: **DUAL**

STANDARD PLAN:  
**S-971**

SHEET 1 OF 1  
S971-1-REV2.DWG 4/24/02