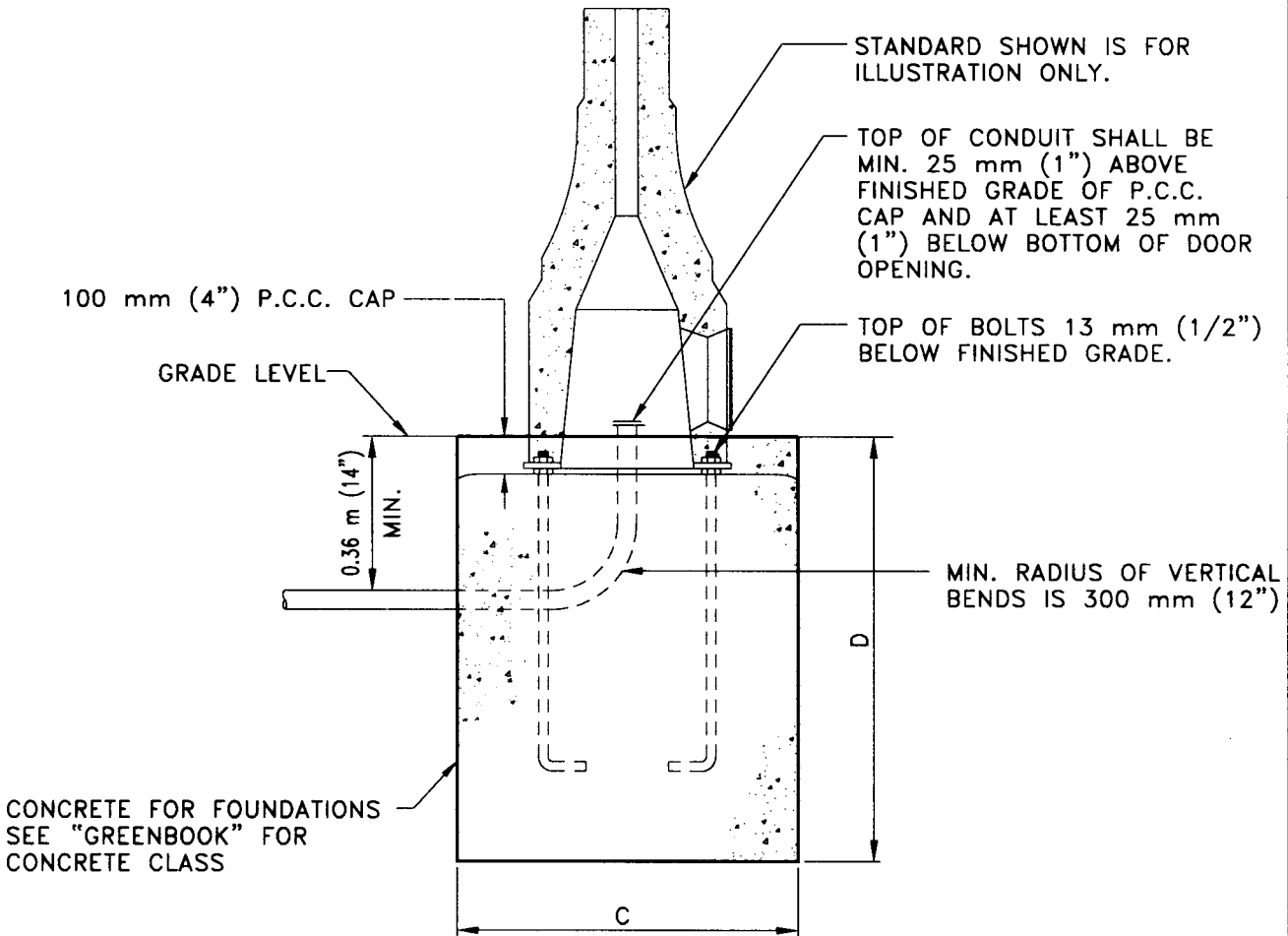


PLAN



ELEVATION

CITY OF PASADENA - PUBLIC WORKS & TRANSPORTATION DEPARTMENT

DRAWN BY:
BANG CHAU

CHECKED BY:
CATHY CHANG

SUBMITTED BY:
JIM VALENTINE

FOUNDATION DETAILS FOR ELECTROLIERS

APPROVED BY:
Ste. A. Wight
ACTING CITY ENGINEER RCE NO. 48660 EXPIRES JUNE 30, 2004

5/7/02
DATE

REVISION: 2 UNITS: DUAL

STANDARD PLAN:
S-972

SHEET 1 OF 2
S972-1-REV2 04/24/02

PASADENA STANDARD PLAN	CITY ELECTROLIER TYPE	DESIGN TYPE MANUFACTURER (M) CITY (C) STATE (S)	BOLT CIRCLE "BC"	P.C.C. FOUNDATION		ANCHOR BOLTS
				"C" ROUND OR SQUARE	"D"	

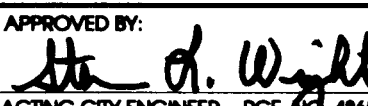
ELECTROLIERS FOR STREET LIGHTING

S-920	TYPE I	FA1125 (M)	292 mm (11 1/2")	0.76 m (30")	1.22 m (4')	25.4 mm \varnothing x 0.91 m x 102 mm (1" \varnothing x 36" x 4')
		FA1130 (M)	292 mm (11 1/2")	0.91 m (36")	1.22 m (4')	
		FA1135 (M)	292 mm (11 1/2")	0.91 m (36")	1.52 m (5')	
S-921	TYPE II	25ST (C)	292 mm (11 1/2")	0.61 m (24")	1.22 m (4')	
		30ST (C)	292 mm (11 1/2")	0.91 m (36")	1.22 m (4')	
		35ST (C)	292 mm (11 1/2")	0.91 m (36")	1.52 m (5')	
S-922	TYPE III	52D (M)	584 mm (23")	0.76 m (30")	1.22 m (4')	
		55D (M)	584 mm (23")	0.91 m (36")	1.22 m (4')	
		56D (M)	584 mm (23")	0.91 m (36")	1.22 m (4')	
		58D (M)	584 mm (23")	0.91 m (36")	1.52 m (5')	
S-923	TYPE IV	1017K (M)	356 mm (14")	0.61 m (24")	1.22 m (4')	
		1023K (M)	356 mm (14")	0.61 m (24")	1.22 m (4')	
S-924	TYPE V	SAME AS S-920				
S-930	PT-1	1210T/1212T (M)	368 mm (14 1/2")	0.61 m (24")	0.91 m (3')	19 mm \varnothing x 0.46 m x 76 mm (3/4" \varnothing x 18" x 3')
S-931	PT-2	134B (M)	559 mm (22")	0.61 m (24") SQ OR 0.76 m (30") \varnothing	0.91 m (3')	
S-932	PT-3	800CL (M)	619 mm (24 3/8")	0.61 m (24") SQ OR 0.76 m (30") \varnothing	0.91 m (3')	
S-910	SP-1	30CD (C)	387 mm (15 1/4")	0.91 m (36")	1.22 m (4')	28.6 mm \varnothing x 1.02 m x 102 mm (1 1/8" \varnothing x 40" x 4')
		35CD (C)	387 mm (15 1/4")	0.91 m (36")	1.52 m (5')	
S-941	SP-2	SAME AS S-922				
S-944T	SP-5	401A (M)	279 mm (11")	0.91 m (36")	1.22 m (4')	25.4 mm \varnothing x 0.91 m x 102 mm (1" \varnothing x 36" x 4')

ELECTROLIERS FOR TRAFFIC SIGNALS

S-960	MODIFIED TYPE II	30ST(C) with 4.6 m (15') TSMA	SEE STANDARD PLAN S-960	292 mm (11 1/2")	0.91 m (36')	1.52 m (5')	38 mm \varnothing x 1.12 m x 152 mm (1 1/2" \varnothing x 44" x 6')
		30ST(C) with 4.6 m (15') TSMA		0.91 m (36')	1.52 m (5')		
		35ST(C) with 6.1 m (20') TSMA		1.07 m (42')	1.52 m (5')		
		35ST(C) with 7.6 m (25') or 9.1 m (30') TSMA		0.76 m (30')	1.83 m (6')	38 mm \varnothing x 1.37 m x 152 mm (1 1/2" \varnothing x 54" x 6')	
S-961	MODIFIED TYPE III	56D (M)	584 mm (23")	0.91 m (36")	1.52 m (5')	25.4 mm \varnothing x 0.91 m x 102 mm (1" \varnothing x 36" x 4')	
		58D (M)	584 mm (23")	0.91 m (36")	1.52 m (5')		

CITY OF PASADENA - PUBLIC WORKS & TRANSPORTATION DEPARTMENT

DRAWN BY: BANG CHAU	<h2 style="margin: 0;">FOUNDATION DETAILS FOR ELECTROLIERS</h2>	REVISION: 2	UNITS: DUAL
CHECKED BY: CATHY CHANG		STANDARD PLAN: <h1 style="margin: 0;">S-972</h1>	
SUBMITTED BY: JIM VALENTINE		APPROVED BY:  ACTING CITY ENGINEER RCE (NO. 48650 EXPIRES JUNE 30, 2004)	5/7/02 DATE