

SEE CITY OF PASADENA STANDARD PLAN S-906 FOR BONDING AND GROUNDING DETAIL.

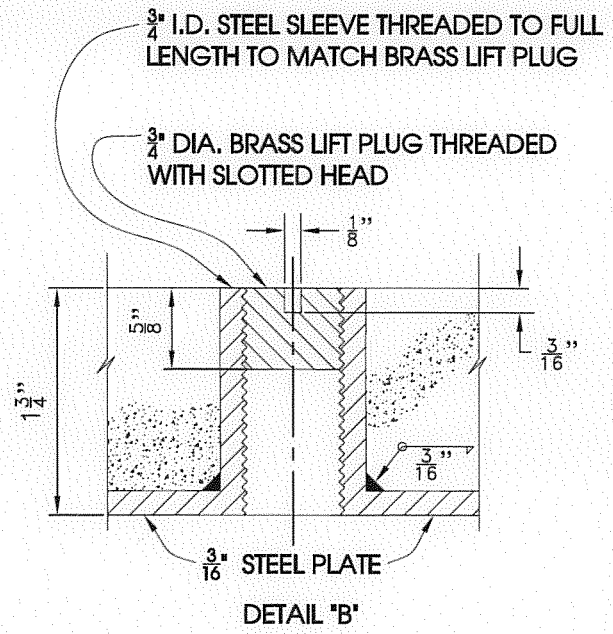
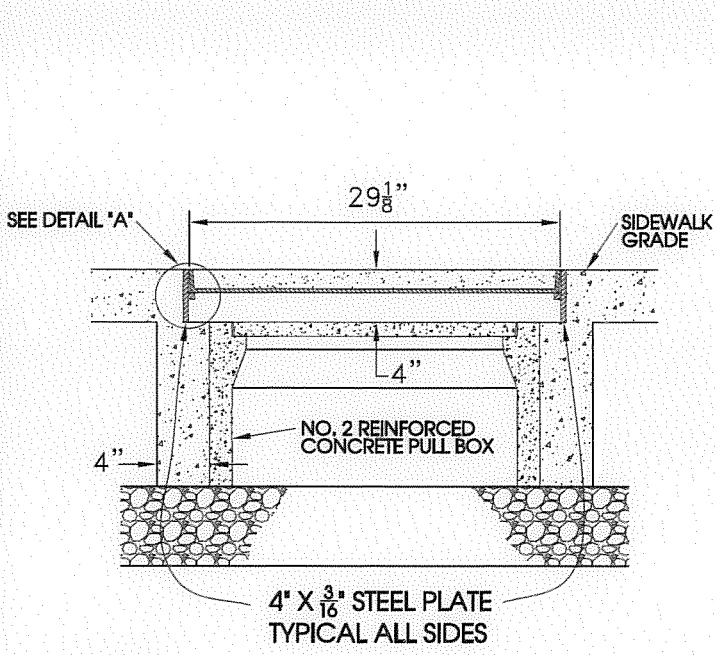
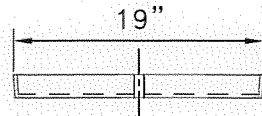
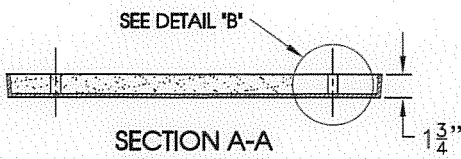
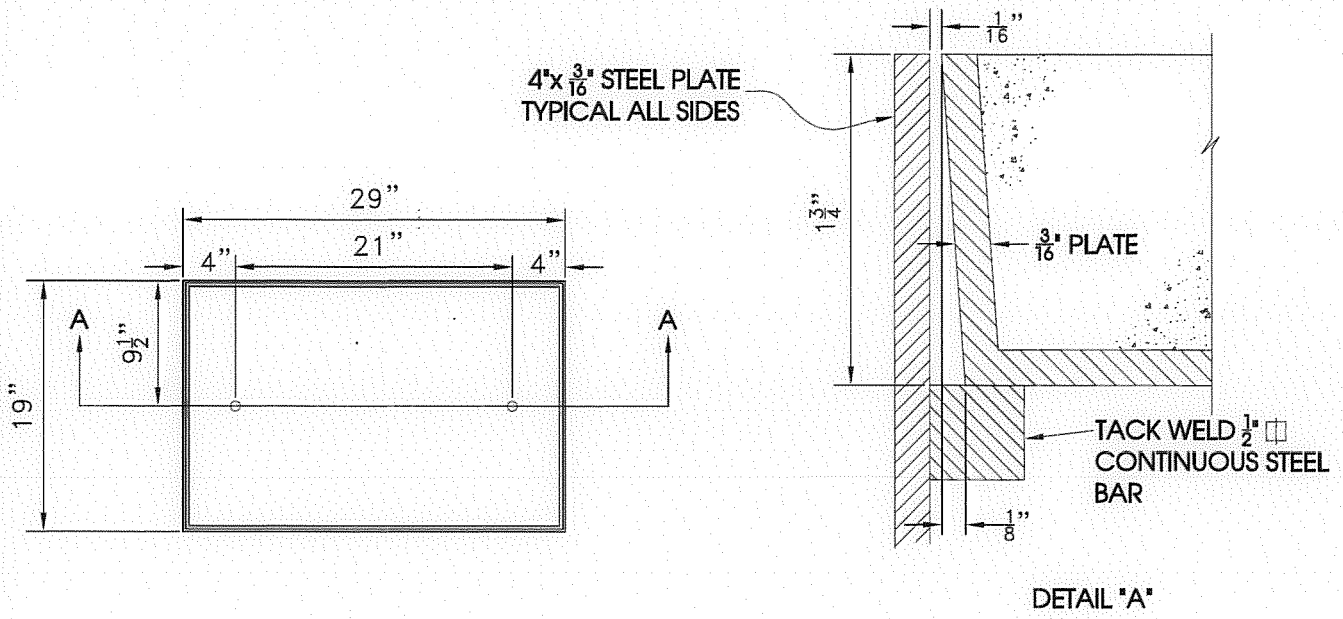
| PRECAST CONCRETE PULL BOX |                        |              |                   |
|---------------------------|------------------------|--------------|-------------------|
| CITY NO.                  | APPROXIMATE DIMENSIONS |              |                   |
|                           | INSIDE (ID)            | OUTSIDE (OD) | LID (LD)          |
| 1                         | 11' x 17'              | 14' x 20'    | N.A.              |
| 2                         | 12' x 22'              | 15' x 25'    | 11 3/4' x 21 3/4' |
| 3                         | 17' x 30'              | 22' x 35'    | 17 1/2' x 29 3/4' |

**NOTES:**

1. BODY, COVER, AND EXTENSIONS SHALL BE REINFORCED WITH A MINIMUM OF TWO NO. 9 GAGE WELDED WIRE LOOPS, OR EQUIVALENT.
2. COVER SHALL BE OF THE BOLT DOWN TYPE AND SHALL HAVE LIFT EYES OF 3/8" GALVANIZED STEEL CAST IN PLACE.
3. GROUT OPENING AFTER CONDUIT IS IN PLACE.
4. EXTENSIONS (9" MIN. DEPTH) SHALL BE INSTALLED WHERE REQUIRED ON THE PLANS.
5. PULL BOXES SHALL NOT BE PLACED IN DRIVEWAY AREAS, EXCEPT AS PERMITTED BY ENGINEER.
6. BOX OR EXTENSIONS SHALL HAVE ONE BREAKOUT PANEL EACH SIDE.
7. COVER LETTERING SHALL BE 1" INCISED LETTERS APPROPRIATELY READING "TRAFFIC SIGNAL", "STREET LIGHTING" (FOR MULTIPLE SYSTEMS), OR "STREET LIGHTING - HIGH VOLTAGE" (SERIES SYSTEM).
8. CONTRACTOR SHALL SUBMIT DOCUMENTATION FROM THE MANUFACTURER CERTIFYING COMPLIANCE WITH ALL DETAILS ON THIS STANDARD PLAN.

**CITY OF PASADENA - DEPARTMENT OF PUBLIC WORKS**

|  |  |                         |                           |
|--|--|-------------------------|---------------------------|
| DRAWN BY:<br><b>JOSE CONTRERAS</b>                     | <p><b>PULL BOX<br/>STREET LIGHT AND<br/>TRAFFIC SIGNAL</b></p> | REVISION:<br><b>4</b>   | UNITS:                    |
| CHECKED BY:<br><b>ELVIN JIANG</b>                      |  | STANDARD PLAN:          |                           |
| SUBMITTED BY:<br><b>RICHARD YEE</b>                    |  | S-973                   | SHEET 1 OF 3              |
| APPROVED BY:<br><i>Steve J. Wight</i><br>CITY ENGINEER | RCE NO. C48650 EXPIRES JUNE 30, 2016                           | DATE<br><b>12/24/15</b> | S973-1-REV 4.DWG 12/02/15 |



**NOTES:**

1. ALL METAL SURFACES FOR SPECIAL FRAME AND COVER SHALL BE GALVANIZED.
2. FOR NO. 3 PULL BOX - COVER SHALL BE 2 IDENTICAL SECTIONS.

**CITY OF PASADENA - DEPARTMENT OF PUBLIC WORKS**

DRAWN BY:  
JOSE CONTRERAS

CHECKED BY:  
ELVIN JIANG

SUBMITTED BY:  
RICHARD YEE

**SPECIAL SEATING FRAME  
AND COVER ASSEMBLY**

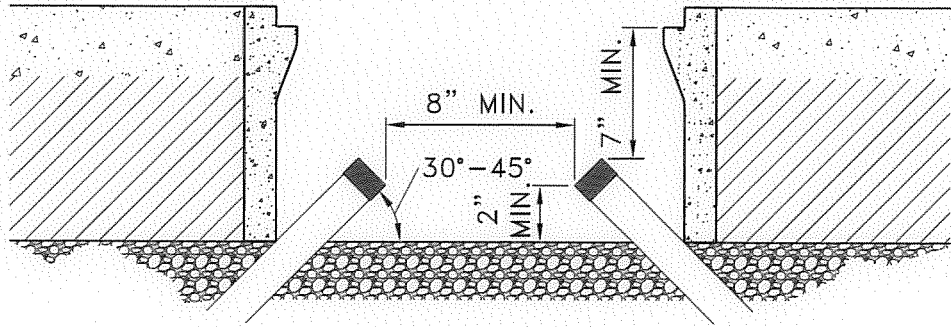
APPROVED BY:  
*Ste. A. Wight*  
CITY ENGINEER RCE NO. C48650 EXPIRES JUNE 30, 2016

12/24/15  
DATE

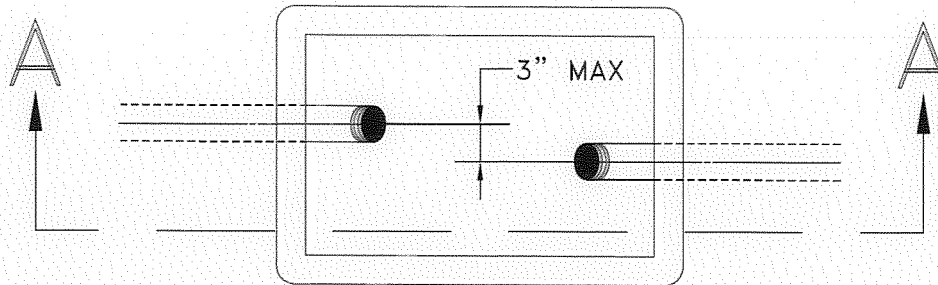
REVISION: 1  
UNITS:

STANDARD PLAN:  
**S-973**  
SHEET 2 OF 3  
S973-1-REV 4.DWG 12/02/15

# PULL BOX



**SECTION A-A**



**TOP VIEW**

**NOTES:**

1. INSTALL NEW OR MODIFY EXISTING CONDUIT PER THIS STANDARD DRAWING WHERE DESIGNATED ON THE PLANS.
2. ALL NOTES ON SHEET 1 APPLY

**CITY OF PASADENA - DEPARTMENT OF PUBLIC WORKS**

DRAWN BY:  
JOSE CONTRERAS

CHECKED BY:  
ELVIN JIANG

SUBMITTED BY:  
RICHARD YEE

**PULL BOX AND  
CONDUIT DETAIL FOR  
COMMUNICATION CABLE**

APPROVED BY:  
*Steve J. Wight*  
CITY ENGINEER RCE NO. C48660 EXPIRES JUNE 30, 2016

12/24/15  
DATE

|                           |        |
|---------------------------|--------|
| REVISION:                 | UNITS: |
| 1                         |        |
| STANDARD PLAN:            |        |
| <b>S-973</b>              |        |
| SHEET 3 OF 3              |        |
| S973-1-REV.4.DWG 12/02/15 |        |