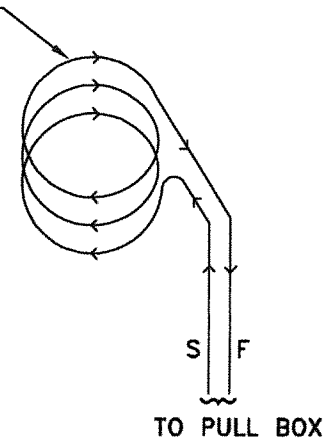
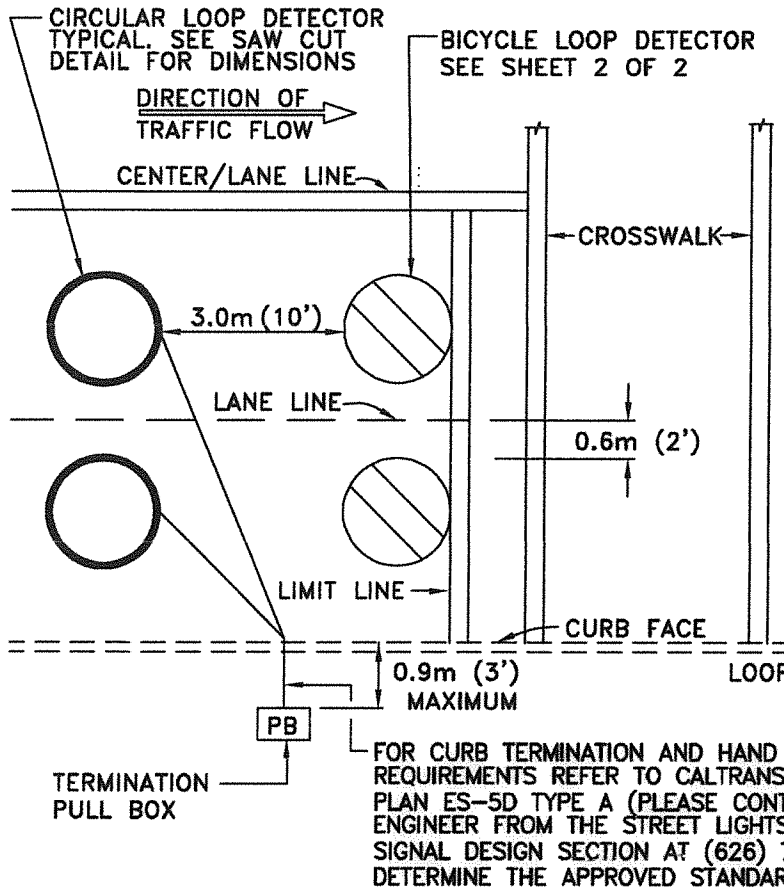


NOTES:

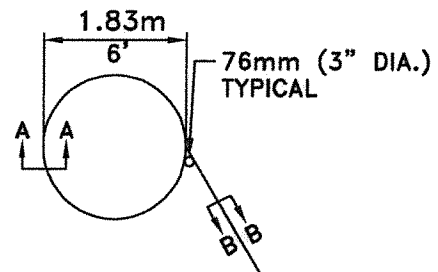
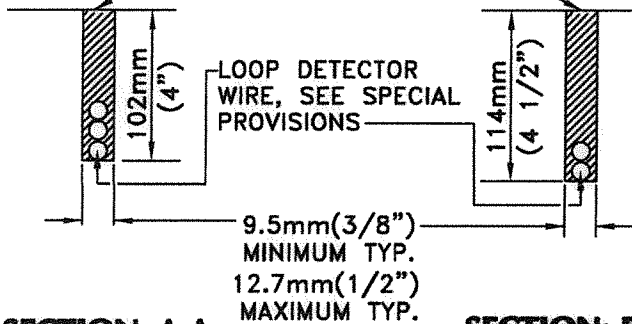
1. FRONT LOOP TO BE TANGENT WITH THE BACK OF LIMIT LINE, UNLESS OTHERWISE SPECIFIED.
2. THE LOOP DETECTOR SHOWN ON THE PLAN (SYSTEM DETECTORS AND ADVANCE LOOP DETECTORS) SHALL BE INSTALLED WITH THREE (3) WINDS OF CABLE. SEE WINDING DETAIL, THIS SHEET.
3. THE LOOP DETECTOR CABLE SHALL BE A CONTINUOUS UNSPLICED CONDUCTOR, FROM CIRCULAR LOOP TO THE TERMINATION PULL BOX. SAW CUT SLOT IN PAVEMENT FROM CIRCULAR LOOP OF EDGE OF GUTTER, NEAR TERMINATION PULL BOX.
4. SEE SPECIAL PROVISIONS FOR ADDITIONAL REQUIREMENTS.
5. THE DETECTOR LOOP PULL BOX SHALL NOT ENCROACH INTO CROSSWALK AREA.
6. PRIOR TO APPLICATION OF HOT MELT SEALANT, LOOPS MUST BE APPROVED BY THE ENGINEER OR CITY INSPECTOR.



WINDING DETAILS

* HOT MELT SEALANT SHALL CONFORM TO CALTRANS SPECIFICATIONS 8040-41A-15 UNLESS OTHERWISE AUTHORIZED BY THE ENGINEER.

INJECT SLOT WITH HOT MELT SEALANT * LEVEL TO SURFACE TOP. DO NOT OVERFILL. SEE SPECIAL PROVISIONS



SAWCUT DETAIL

CITY OF PASADENA - DEPARTMENT OF PUBLIC WORKS

DRAWN BY:
HY LAO

CHECKED BY:
**ARVIN MANGASAR
ARNOLD DICHOSA**

SUBMITTED BY:
RICHARD YEE

**VEHICLE AND BICYCLE LOOP
DETECTOR INSTALLATION**

APPROVED BY:
[Signature]
CITY ENGINEER

RCE NO. C57442 EXPIRES DECEMBER 31, 2019

8/1/2019
DATE

REVISION: **5** UNITS: **DUAL**

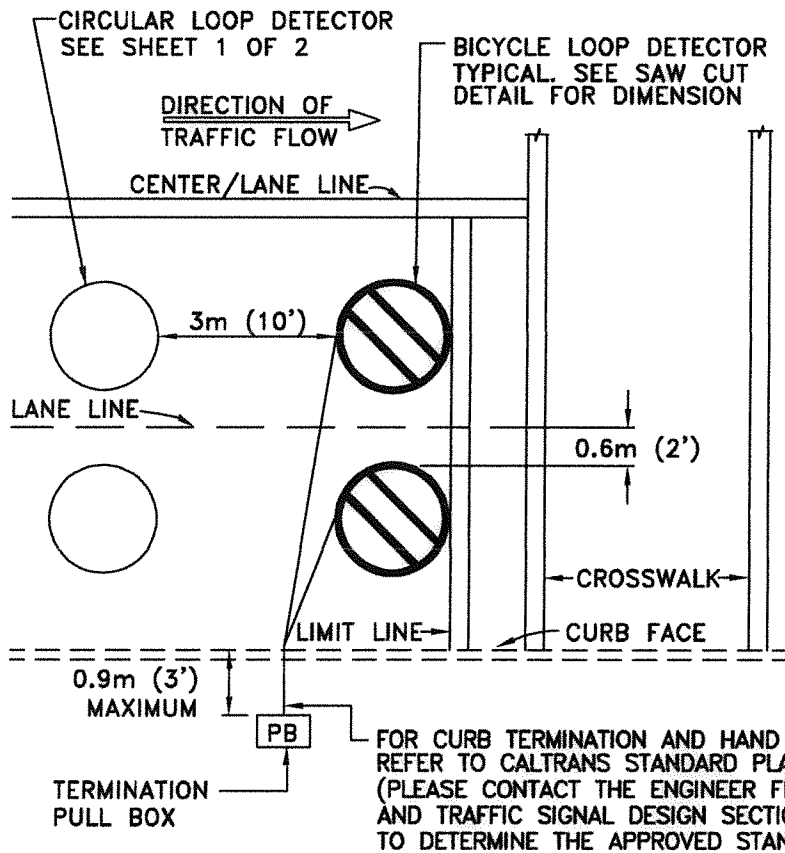
STANDARD PLAN:
S-976

SHEET 1 OF 2

5976-1-REV5 April 24, 2019

NOTES:

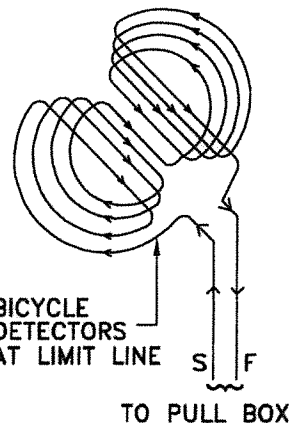
1. FRONT LOOP TO BE TANGENT WITH THE BACK OF LIMIT LINE, UNLESS OTHERWISE SPECIFIED.
2. THE BICYCLE LOOP DETECTOR SHOWN ON THE PLAN SHALL BE INSTALLED WITH FOUR (4) WINDS OF CABLE. SEE WINDING DETAIL, THIS SHEET.
3. THE LOOP DETECTOR CABLE SHALL BE A CONTINUOUS UNSPLICED CONDUCTOR, FROM CIRCULAR LOOP TO THE TERMINATION PULL BOX. SAWCUT SLOT IN PAVEMENT FROM CIRCULAR LOOP OF EDGE OF GUTTER, NEAR TERMINATION PULL BOX.
4. SEE SPECIAL PROVISIONS FOR ADDITIONAL REQUIREMENTS.
5. THE DETECTOR LOOP PULL BOX SHALL NOT ENCROACH INTO CROSSWALK AREA.
6. PRIOR TO APPLICATION OF HOT MELT SEALANT, LOOPS MUST BE APPROVED BY THE ENGINEER OR CITY INSPECTOR.



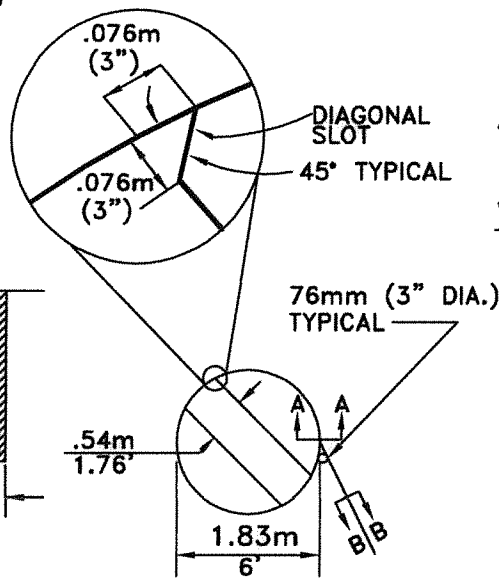
FOR CURB TERMINATION AND HAND HOLE REQUIREMENTS REFER TO CALTRANS STANDARD PLAN ES-5D TYPE A (PLEASE CONTACT THE ENGINEER FROM THE STREET LIGHTS AND TRAFFIC SIGNAL DESIGN SECTION AT (626) 744-4718 TO DETERMINE THE APPROVED STANDARD PLAN YEAR).

* HOT MELT SEALANT SHALL CONFORM TO CALTRANS SPECIFICATIONS 8040-41A-15 UNLESS OTHERWISE AUTHORIZED BY THE ENGINEER.

INJECT SLOT WITH HOT MELT SEALANT* LEVEL TO SURFACE TOP. DO NOT OVERFILL. SEE SPECIAL PROVISIONS



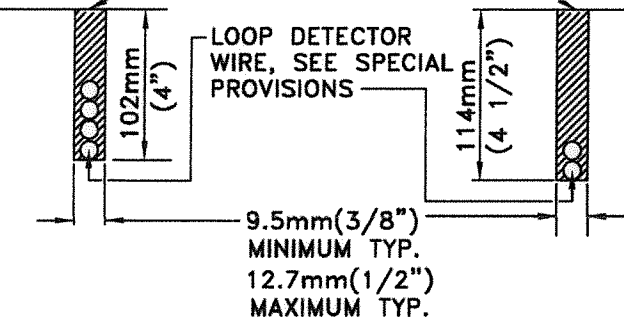
WINDING DETAILS



SAWCUT DETAIL

SECTION: A-A

SECTION: B-B



CITY OF PASADENA - DEPARTMENT OF PUBLIC WORKS

DRAWN BY:
HY LAO

CHECKED BY:
**ARVIN MANGASAR
ARNOLD DICHOSA**

SUBMITTED BY:
RICHARD YEE

**VEHICLE AND BICYCLE LOOP
DETECTOR INSTALLATION**

APPROVED BY:
[Signature]

CITY ENGINEER RCE NO. C57442 EXPIRES DECEMBER 31, 2019

DATE: **8/1/2019**

REVISION: **5** UNITS: **DUAL**

STANDARD PLAN:
S-976

SHEET 2 OF 2

S976-1-REV5 April 24, 2019