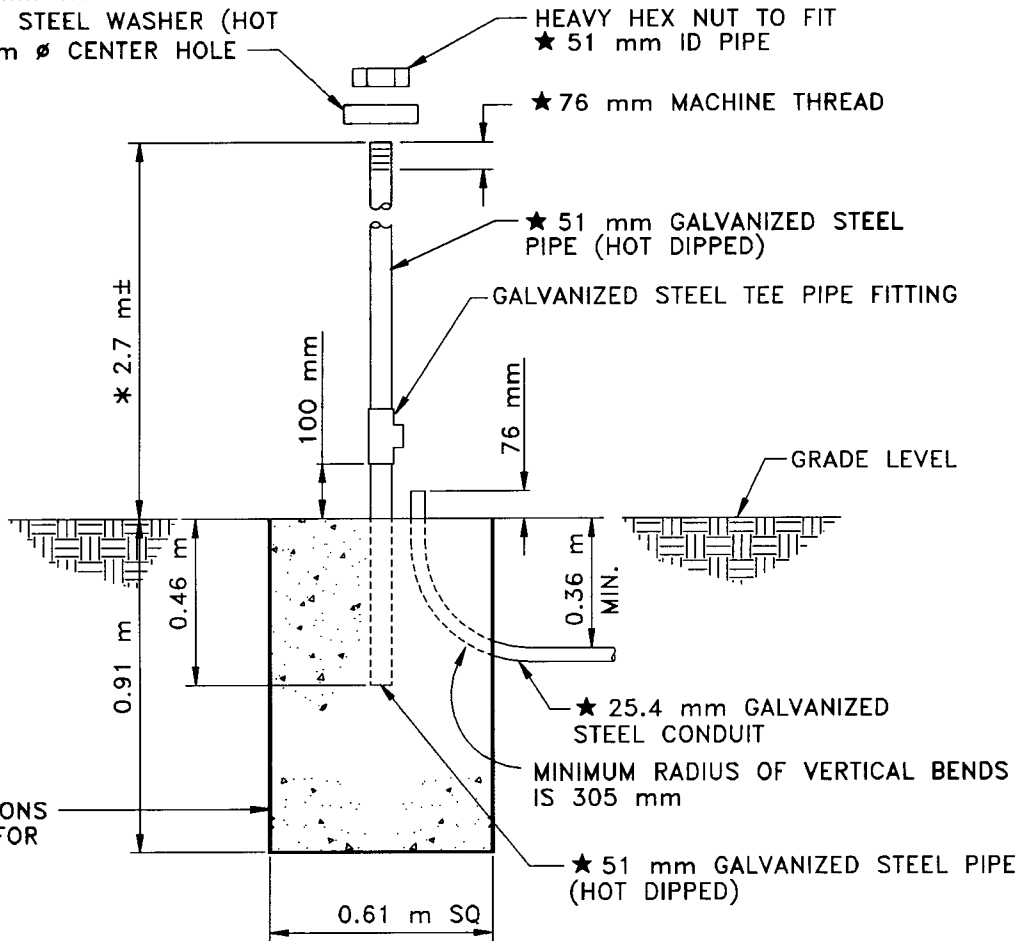


PLAN

FABRICATED ★ 19.05 mm THK x 95.25 mm ∅
 ASTM A36 GALVANIZED STEEL WASHER (HOT
 DIPPED) WITH 63.5 mm ∅ CENTER HOLE



ELEVATION

CONCRETE FOUNDATIONS
 SEE "GREENBOOK" FOR
 CONCRETE CLASS.

* APPROXIMATE DIMENSION ONLY. EXACT LENGTH TO BE MEASURED FOR EACH STREET LIGHT STANDARD.

★ - EXACT CONVERSION (ENGLISH DIMENSION WILL REMAIN).

CITY OF PASADENA - PUBLIC WORKS & TRANSPORTATION DEPARTMENT

DRAWN BY:
 TONY FROSSARD

**STAND PIPE FOUNDATION DETAIL
 FOR BRONZE AND CAST IRON
 POST TOP STREET LIGHTS**

REVISION: 1 UNITS: METRIC

CHECKED BY:
 CATHY CHANG

STANDARD PLAN:

SUBMITTED BY:
 JIM VALENTINE

APPROVED BY:
William D. Sato
 CITY ENGINEER RCE NO. 13716 EXPIRES MARCH 31, 1997

4/4/96
 DATE

S-980

SHEET 1 OF 1
 S980-1-1.DWG 03/25/96